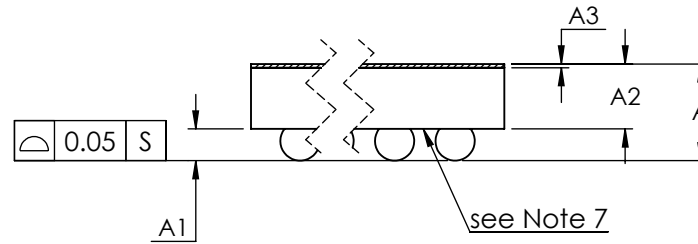


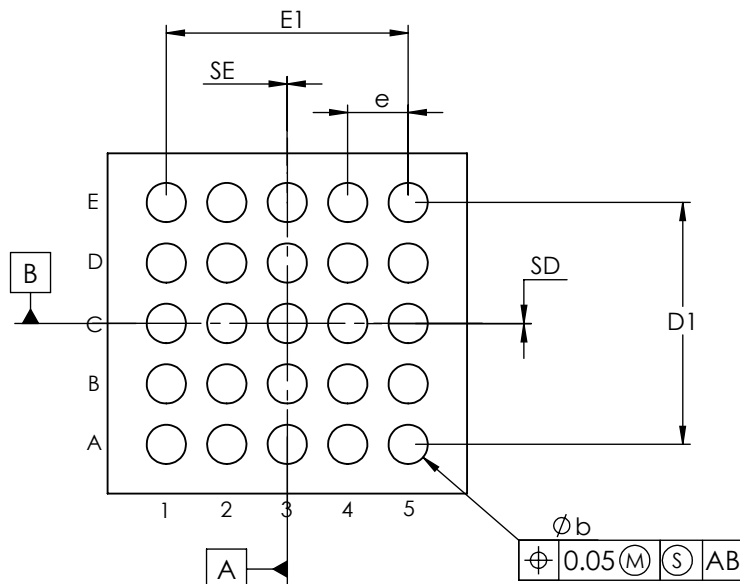
TOP VIEW



SIDE VIEW

| COMMON DIMENSIONS | |
|-------------------|-------------|
| A | 0.64 ±0.05 |
| A1 | 0.21 ±0.03 |
| A2 | 0.43 REF |
| A3 | 0.025 BASIC |
| b | ∅0.26 ±0.03 |
| D1 | 1.60 BASIC |
| E1 | 1.60 BASIC |
| e | 0.40 BASIC |
| SD | 0.00 BASIC |
| SE | 0.00 BASIC |

| PKG. CODE | E | D | DEPOPULATED BUMPS |
|-----------|-------------|-------------|-------------------|
| W252B2+1 | 2.065±0.075 | 2.065±0.075 | NONE |
| W252C2+1 | 2.185±0.105 | 2.185±0.105 | NONE |



BOTTOM VIEW

NOTES:

1. Terminal pitch is defined by terminal center to center value.
2. Outer dimension is defined by center lines between scribe lines.
3. All dimensions in millimeter.
4. Marking shown is for package orientation reference only.
5. Tolerance is ± 0.02 unless specified otherwise.
6. All dimensions apply to PbFree (+) package codes only.
7. Front - side finish can be either Black or Clear.

- DRAWING NOT TO SCALE -



| | | | |
|----------------------------------|---------------------------------|---|-----|
| TITLE | | PACKAGE OUTLINE 25 BUMPS WLP PKG. 0.40mm PITCH | |
| APPROVAL TIE WANG 08/30/12 | DOCUMENT CONTROL NO. 21-0180 | REV. G | 1/1 |