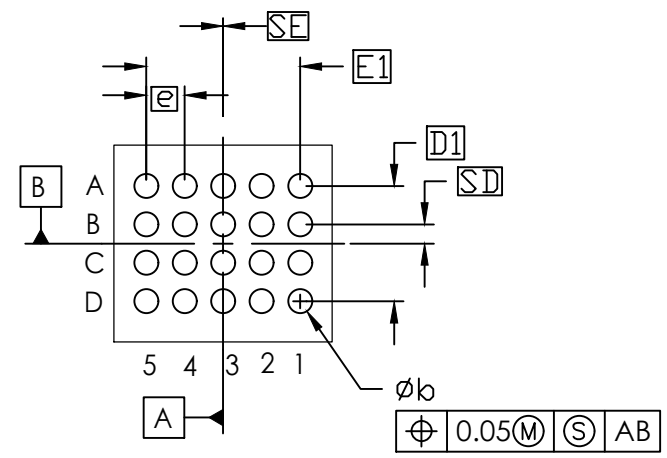
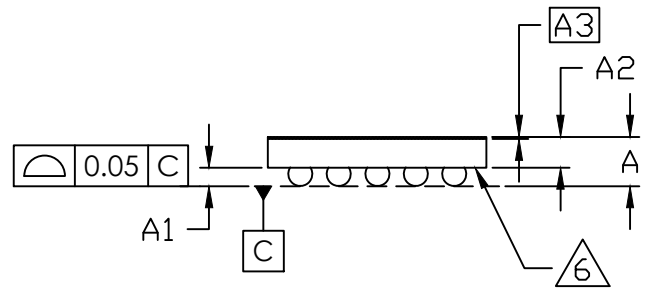


TOP VIEW



BOTTOM VIEW

DIMENSIONS	
A	0.64±0.05
A1	0.24±0.03
A2	0.40 REF
A3	0.025 BSC
b	0.31±0.03
D1	1.50 BSC
E1	2.00 BSC
e	0.50 BSC
SD	0.25 BSC
SE	0.00 BSC



FRONT VIEW

PKG CODE	E	D	DEPOPULATED BUMPS
W202A2+1	2.535±0.065	2.025±0.065	B3, C3
W202A2+2	2.555±0.065	2.045±0.065	NONE
W202C2+1	2.505±0.015	2.255±0.015	NONE
W202D2+1	2.505±0.015	2.251±0.015	NONE
W202E2+1	2.787±0.025	2.101±0.025	NONE

NOTES:

1. ALL DIMENSIONS ARE IN MILLIMETERS UNLESS OTHERWISE SPECIFIED.
2. TERMINAL PITCH IS DEFINED BY TERMINAL CENTER TO CENTER VALUE.
- ③ OUTER DIMENSION IS DEFINED BY CENTER LINES BETWEEN SCRIBE LINES.
- ④ MARKING SHOWN IS FOR PACKAGE ORIENTATION REFERENCE ONLY.
5. TOLERANCE IS ± 0.02 UNLESS SPECIFIED OTHERWISE.
- ⑥ FRONT - SIDE FINISH CAN BE EITHER BLACK OR CLEAR.
7. MATERIAL MUST BE COMPLIANT WITH MAXIM SPECIFICATION 10-0131 FOR SUBSTANCE CONTENT, MUST BE EU ROHS COMPLIANT WITHOUT EXEMPTION AND PB-FREE.
8. ALL DIMENSIONS APPLY TO PbFREE (+) PKG. CODE ONLY.

-DRAWING NOT TO SCALE-

TITLE:
PACKAGE OUTLINE, 20 BUMPS, WLP PKG,
0.5mm PITCH

APPROVAL	DOCUMENT CONTROL NO. 21-0059	REV. H	1/1
----------	---------------------------------	-----------	-----