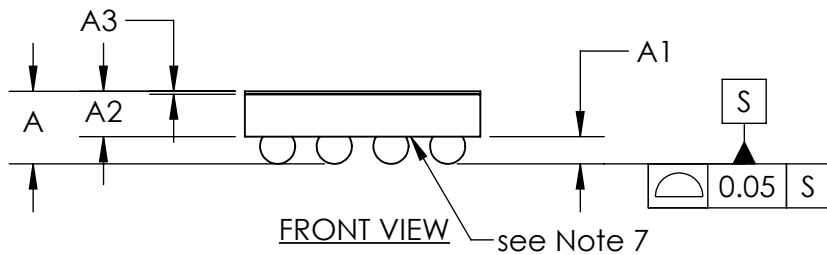
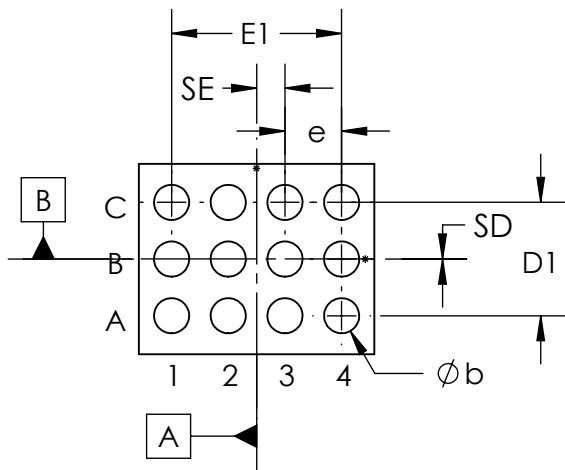


TOP VIEW



FRONT VIEW



BOTTOM VIEW

NOTES:


1. Terminal pitch is defined by terminal center to center value.
2. Outer dimension is defined by center lines between scribe lines.
3. All dimensions in millimeter.
4. Marking shown is for package orientation reference only.
5. Tolerance is  $\pm 0.02$  unless specified otherwise.
6. All dimensions apply to PbFree (+) package codes only.
7. Front - side finish can be either Black or Clear.

COMMON DIMENSIONS	
A	0.64 $\pm 0.05$
A1	0.24 $\pm 0.03$
A2	0.40 REF
A3	0.025 BASIC
b	$\phi 0.31 \pm 0.03$
D1	1.00 BASIC
E1	1.50 BASIC
e	0.50 BASIC
SD	0.00 BASIC
SE	0.25 BASIC

PKG CODE	E		D		DEPOPULATED BUMPS
	MIN	MAX	MIN	MAX	
W121A2+1	2.08	2.19	1.50	1.61	NONE
W121B2+1	1.98	2.09	1.50	1.61	NONE
W121B2+2	1.98	2.09	1.50	1.61	B2
W121C2+1	2.05	2.26	1.54	1.93	NONE
W121D2+1	1.99	2.08	1.56	1.65	NONE
W122A2+1	2.07	2.08	2.07	2.08	NONE

\*\* W121B2+2 TO BE USED FOR WD15 ONLY.  
W122A2+1 TO BE USED FOR PR76 ONLY.

- DRAWING NOT TO SCALE -


**maxim integrated™**

---

TITLE PACKAGE OUTLINE 12 BUMPS  
WLP PKG. 0.5 mm PITCH

APPROVAL	DOCUMENT CONTROL NO. 21-0009	REV. H	1/1
----------	---------------------------------	-----------	-----