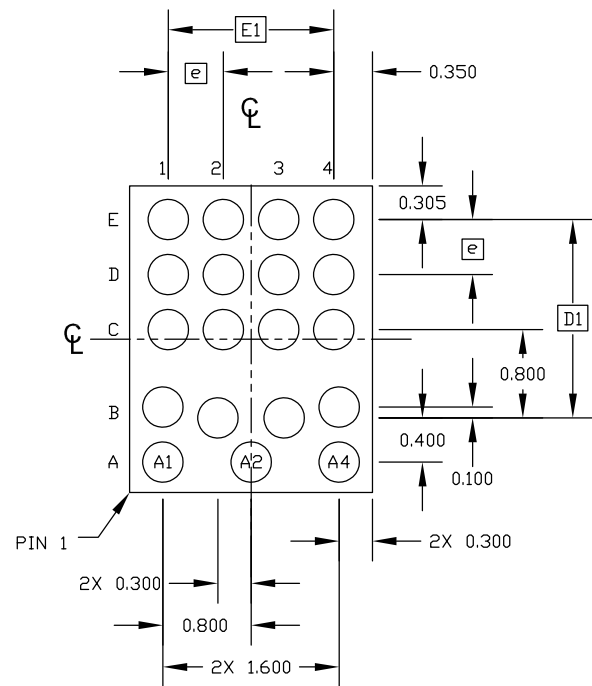


	MILLIMETERS			INCHES		
DIM	MIN	NOM	MAX	MIN	NOM	MAX
A	0.880	0.930	0.980	.035	.037	.039
A1	0.250	0.280	0.310	.010	.011	.012
A2	0.630	0.650	0.670	.025	.026	.027
b	0.340	0.370	0.400	.013	.015	.016
D	2.730	2.780	2.830	.107	.109	.111
D1	1.800 BSC			.071 BSC		
E	2.150	2.200	2.25	.085	.087	.089
E1	1.500 BSC			.060 BSC		
e	0.500 BSC			.020 BSC		
MD	4 BALLS			4 BALLS		
ME	4 BALLS			4 BALLS		
N	19 BALLS			19 BALLS		

BOTTOM VIEW



NOTES:

1. ALL DIMENSIONS ARE IN MILLIMETERS.
2. MD IS THE BALL MATRIX SIZE IN THE "D" DIRECTION, ME IS THE BALL MATRIX SIZE IN THE "E" DIRECTION, AND N IS THE TOTAL NUMBER OF BALLS FOR THE MATRIX SIZE MD X ME AND DOES NOT INCLUDE BALLS FROM ANY DEPOPULATED LOCATIONS.
3. DIMENSIONING AND TOLERANCING CONFORM TO ASME Y14.5M-2009.
4. PRIMARY DATUM C (SEATING PLANE) IS DEFINED BY THE CROWNS OF THE SOLDER BALLS.
5. DIMENSION b IS MEASURED AT THE MAXIMUM SOLDER BALL DIAMETER IN A PLANE PARALLEL TO DATUM C.
6. MARKING SHOWN IS FOR PKG. ORIENTATION PURPOSE ONLY.
7. MATERIAL MUST COMPLY WITH BANNED AND RESTRICTED SUBSTANCES SPEC #10-0131.
8. ALL DIMENSIONS APPLY TO PbFREE (+) PKG. CODES ONLY.



TITLE:
PACKAGE OUTLINE, 19 BALLS
WLCSP, 0.50mm PITCH, C192B2+1

APPROVAL	DOCUMENT CONTROL NO. 21-0915	REV. C	1/1
----------	---------------------------------	-----------	-----

-DRAWING NOT TO SCALE-