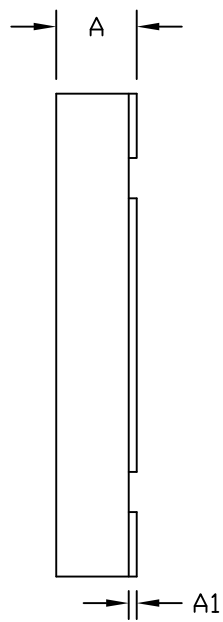
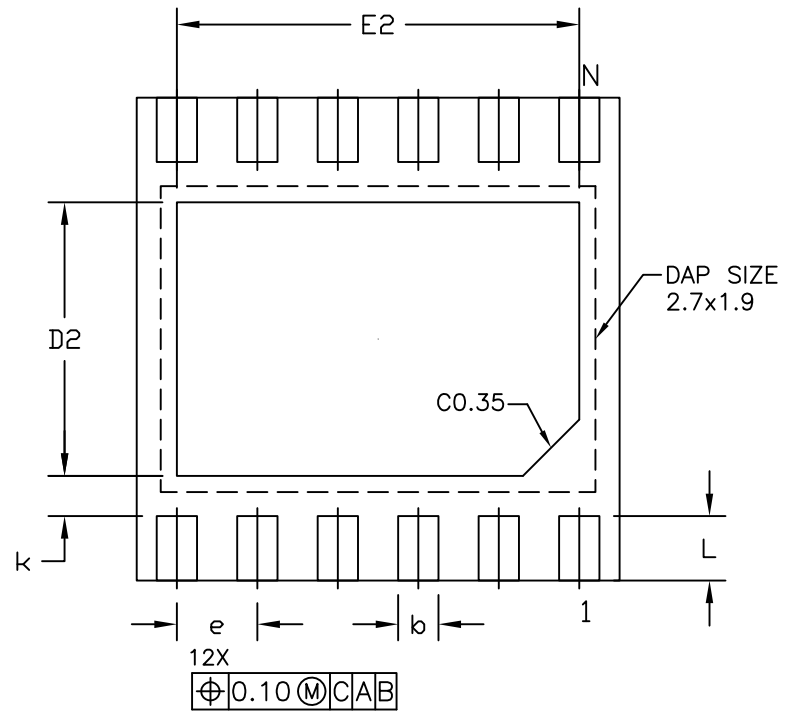


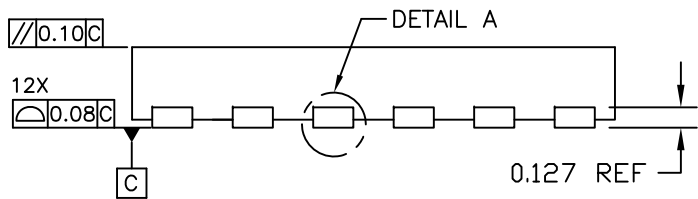
TOP VIEW



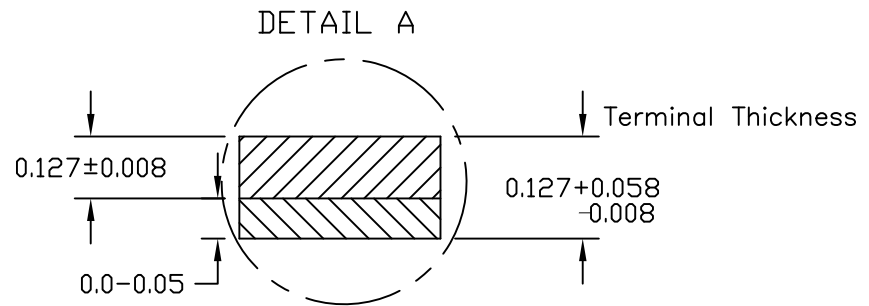
SIDE VIEW



BOTTOM VIEW



SIDE VIEW



MAXIM

TITLE:
PACKAGE OUTLINE, 12L
ULTRA TDFN, NiPd, 3x3x0.50mm

APPROVAL
RAMON DE LEON
05/18/12

DOCUMENT CONTROL NO.
21-0451

REV. 1/2
C

NOTES:

1. ALL DIMENSIONS ARE IN MILLIMETERS.
2. N IS THE TOTAL NUMBER OF LEADS.
3. REFER TO JEDEC MO-236/MO-252.
4. WARPAGE SHALL NOT EXCEED 0.10 mm.
5. COPLANARITY APPLIES TO THE EXPOSED PAD AS WELL AS THE TERMINALS.
COPLANARITY SHALL NOT EXCEED 0.08 mm.
6. PKG. LENGTH/PKG. WIDTH ARE CONSIDERED AS SPECIAL CHARACTERISTIC.
7. MARKING SHOWN IS FOR PACKAGE ORIENTATION REFERENCE ONLY.
8. ALL DIMENSIONS APPLY TO BOTH LEADED (-) AND PbFREE (+) PKG. CODES.

COMMON DIMENSIONS			
SYMBOL	MIN.	NOM.	MAX.
A	0.45	0.50	0.55
A1	0.0		0.05
A2	0.127 REF.		
D	2.90	3.00	3.10
E	2.90	3.00	3.10
D2	1.60	1.70	1.80
E2	2.40	2.50	2.60
N	12		
b	0.25±0.05		
e	0.50 REF		
k	Min 0.20		
L	0.30	0.40	0.50
PKG. CODE: V1233N-1			



TITLE:
PACKAGE OUTLINE, 12L
ULTRA TDFN, NiPd, 3x3x0.50mm

APPROVAL
RAMÓN DE LEON
05/18/12

DOCUMENT CONTROL NO.
21-0451

REV. 2/2
C