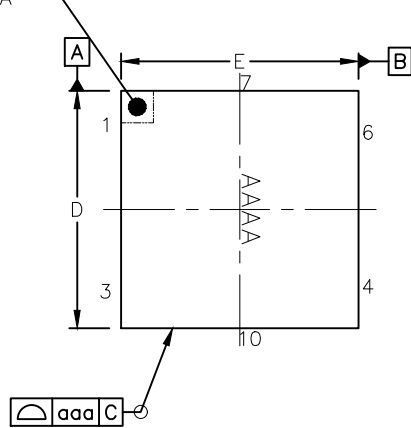
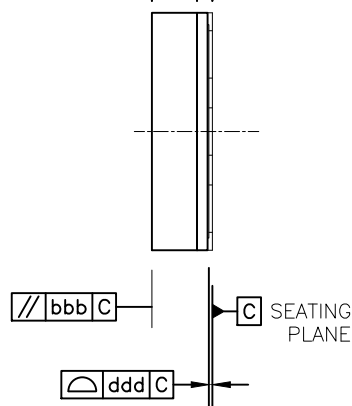
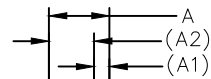


PIN1 CORNER INDEX AREA

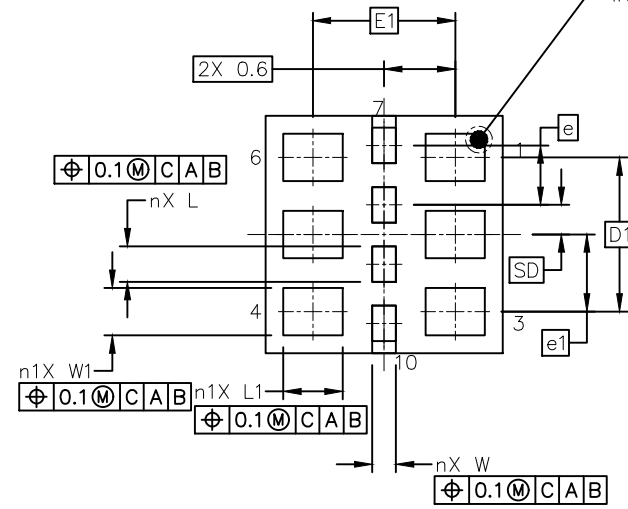


TOP VIEW



SIDE VIEW

PIN1 CORNER INDEX AREA



BOTTOM VIEW

SYMBOL	COMMON DIMENSIONS		
	MIN.	NOR.	MAX.
A	0.453	0.51	0.567
A1		0.13	REF
A2		0.38	REF
A3		---	REF
D	1.9	2	2.1
E	1.9	2	2.1
W	0.15	0.2	0.25
L	0.25	0.3	0.35
W1	0.35	0.4	0.45
L1	0.45	0.5	0.55
e		0.5	BSC
e1		0.65	BSC
n		4	
n1		6	
D1		1.3	BSC
E1		1.2	BSC
SD		0.25	BSC
aaa		0.1	
bbb		0.1	
ddd		0.08	

NOTES:

1. ALL DIMENSIONS ARE IN MILLIMETERS. ANGLES ARE IN DEGREES.
2. DIMENSIONING AND TOLERANCING CONFORM TO ASME Y14.5M -2009
3. N IS THE TOTAL NUMBER OF TERMINALS.
4. PIN #1 ID ON TOP WILL BE LASER MARKED.
5. MATERIAL MUST BE COMPLIANT WITH MAXIM SPECIFICATION 10-0131 FOR SUBSTANCE CONTENT, MUST BE Eu ROHS COMPLIANT WITHOUT EXEMPTION AND PB-FREE.
6. ALL DIMENSIONS APPLY TO PbFREE (+) PARTS.
7. PACKAGE CODE: Y102A2-1

-DRAWING NOT TO SCALE-



TITLE:
PACKAGE OUTLINE, 10L ULTRA THIN LGA,
2.0x2.0x0.51mm

APPROVAL
QI LUO

DOCUMENT CONTROL NO.
21-100459

REV. 1
A 1/1