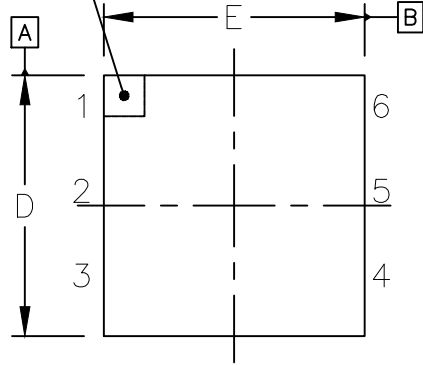
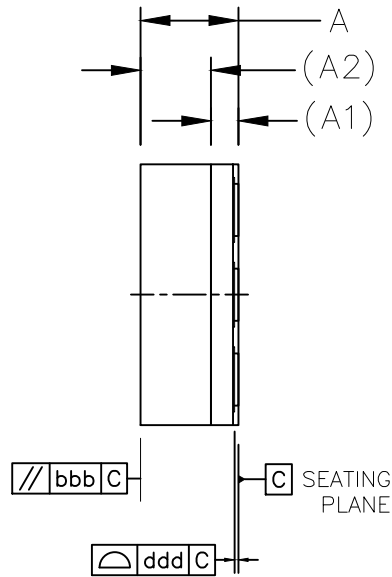


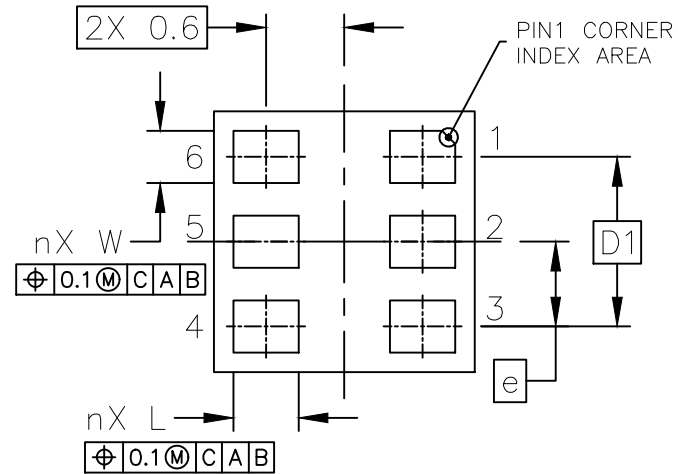
PIN1 CORNER INDEX AREA



TOP VIEW



SIDE VIEW



BOTTOM VIEW

SYMBOL	COMMON DIMENSIONS		
	MIN.	NOR.	MAX.
A	0.7	0.75	0.8
A1		0.21	REF
A2		0.54	REF
D	1.9	2	2.1
E	1.9	2	2.1
W	0.35	0.4	0.45
L	0.45	0.5	0.55
e		0.65	BSC
n		6	
D1		1.3	BSC
E1		---	BSC
aaa		---	
bbb		0.1	
ddd		0.08	

NOTES:

1. ALL DIMENSIONS ARE IN MILLIMETERS. ANGLES ARE IN DEGREES.
2. DIMENSIONING AND TOLERANCING CONFORM TO ASME Y14.5M -2009
3. N IS THE TOTAL NUMBER OF TERMINALS.
4. PIN #1 ID ON TOP WILL BE LASER MARKED.
5. MATERIAL MUST BE COMPLIANT WITH MAXIM SPECIFICATION 10-0131 FOR SUBSTANCE CONTENT, MUST BE Eu ROHS COMPLIANT WITHOUT EXEMPTION AND PB-FREE.
6. ALL DIMENSIONS APPLY TO PbFREE (+) PARTS.
7. PACKAGE CODES: L622-2



TITLE:
PACKAGE OUTLINE, 6LD uDFN
2X2X0.75MM

APPROVAL

DOCUMENT CONTROL NO.
21-100397

REV. A 1/1

-DRAWING NOT TO SCALE-