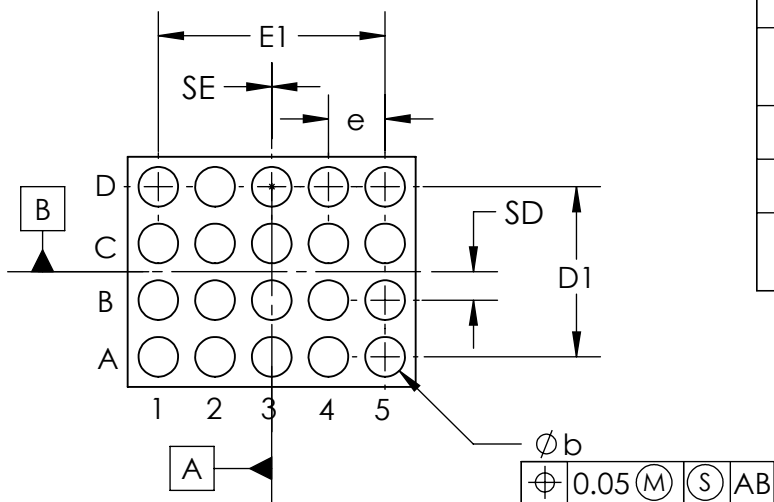
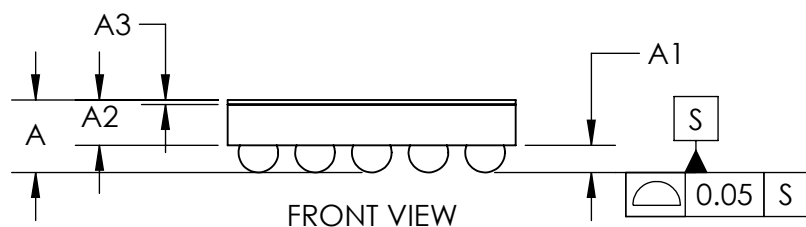


NOTES:

1. Terminal pitch is defined by terminal center to center value.
2. Outer dimension is defined by center lines between scribe lines.
3. All dimensions in millimeter.
4. Marking shown is for package orientation reference only.
5. Tolerance is ± 0.02 unless specified otherwise.
6. All dimensions apply to PbFree (+) package codes only.
7. Front - side finish can be either Black or Clear.




PKG. CODE	VARIABLE DIMENSIONS		DEPOPULATED SOLDER BALLS
	D	E	
B20-1	2.03 \pm 0.08	2.54 \pm 0.08	NONE
B20-2	2.03 \pm 0.08	2.54 \pm 0.08	B2, B3, B4
B20-4	2.03 \pm 0.08	2.54 \pm 0.08	B2, B3, B4 C2, C4
B20-5	2.03 \pm 0.08	2.54 \pm 0.08	B2, B3, B4 C2, C3, C4
B20-6	2.16 \pm 0.08	2.54 \pm 0.08	B2, B3, B4
B20-7	2.03 \pm 0.08	2.54 \pm 0.08	B3, C3
B20-8	2.03 \pm 0.08	2.54 \pm 0.08	B2, B4, C2, C4

COMMON DIMENSIONS	
A	0.64 \pm 0.05
A1	0.24 \pm 0.03
A2	0.40 REF
A3	0.04 BASIC
b	ϕ 0.35 \pm 0.03
D1	1.50 BASIC
E1	2.00 BASIC
e	0.50 BASIC
SD	0.25 BASIC
SE	0.00 BASIC
DEPOPULATED BUMPS: see table on left	

BOTTOM VIEW

- DRAWING NOT TO SCALE -



TITLE PACKAGE OUTLINE 20 BUMPS WLP PKG. 0.5 mm PITCH,			
APPROVAL	DOCUMENT CONTROL NO. 21-0095	REV. L	1/1