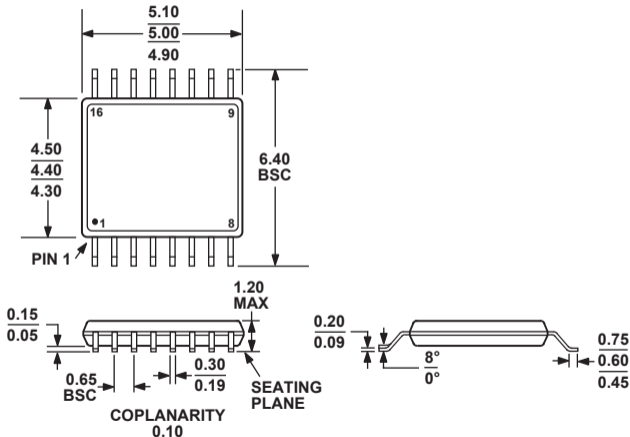


**16-Lead Thin Shrink Small Outline Package [TSSOP]
(RU-16)**

Dimensions shown in millimeters



COMPLIANT TO JEDEC STANDARDS MO-153-AB