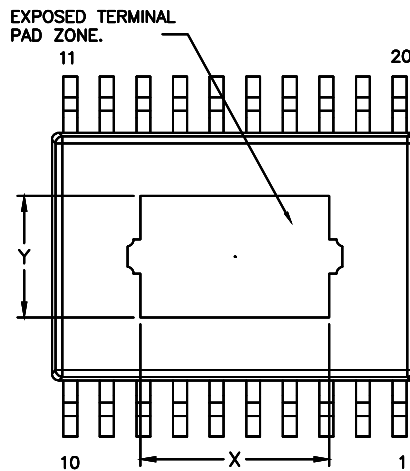
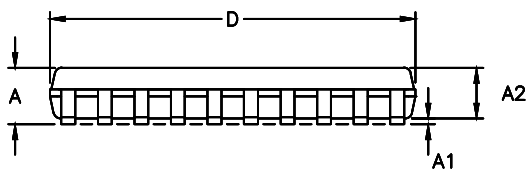


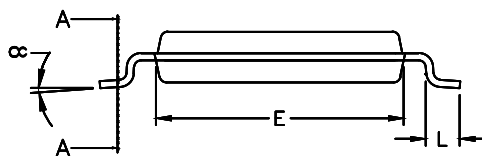
TOP VIEW



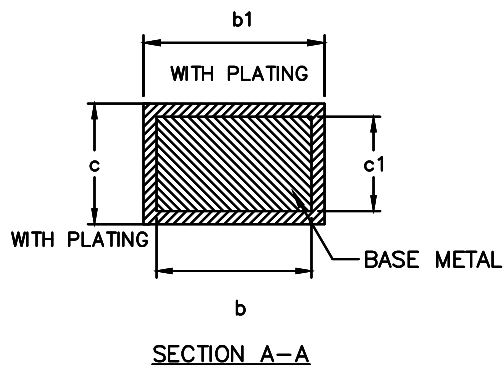
BOTTOM VIEW



FRONT VIEW



END VIEW



SECTION A-A

**NOTE :**

1. This drawing is for Pkg Code U20E+3C

COMMON DIMENSIONS			
DIM	MIN	NOM	MAX
A	-	-	1.10
A1	0.05	-	0.15
A2	0.85	-	0.95
b	0.195	-	0.30
b1	0.22 REF.		
c	0.09	-	0.20
c1	0.127 REF.		
D	6.40	-	6.60
E	4.30	-	4.50
e	0.65 BSC		
H	6.30	-	6.50
L	0.50	-	0.70
X	3.10	3.35	3.45
Y	1.90	2.15	2.26
∞	0	-	8
N	20		

-DRAWING NOT TO SCALE-



TITLE:  
PACKAGE OUTLINE, 20L  
EP TSSOP PKG.

APPROVAL  
CHUCK XIA

DOCUMENT CONTROL NO.  
21-100132

REV. A 1/1