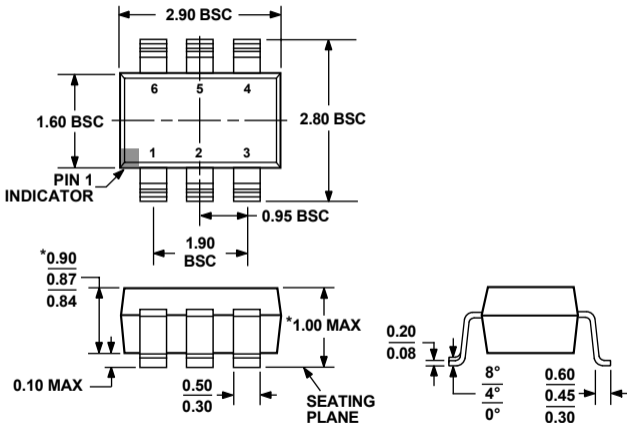


**6-Lead Thin Small Outline Transistor Package [TSOT]  
(UJ-6)**

Dimensions shown in millimeters



**\*COMPLIANT TO JEDEC STANDARDS MO-193-AA WITH  
THE EXCEPTION OF PACKAGE HEIGHT AND THICKNESS.**