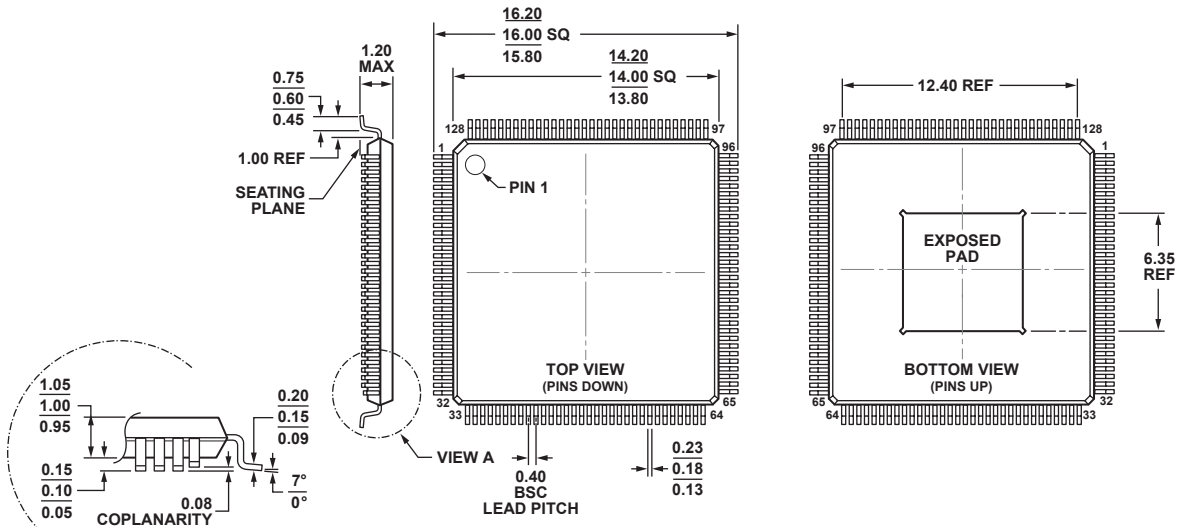


**128-Lead Thin Quad Flat Package, Exposed Pad [TQFP_EP]
(SV-128-1)**

Dimensions shown in millimeters



**VIEW A
ROTATED 90° CCW**

COMPLIANT TO JEDEC STANDARDS MS-026-BED-HD