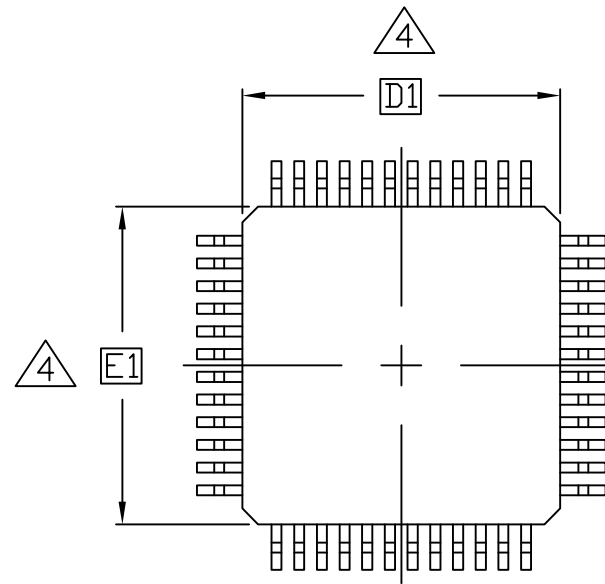
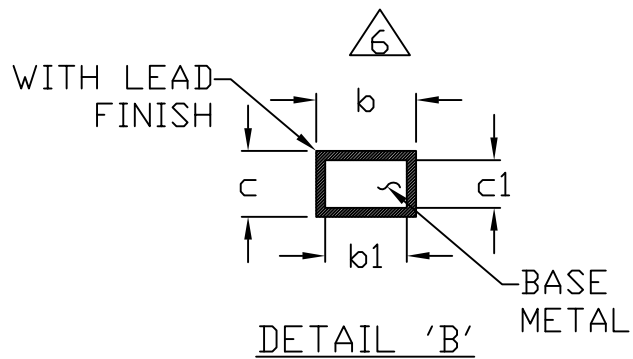
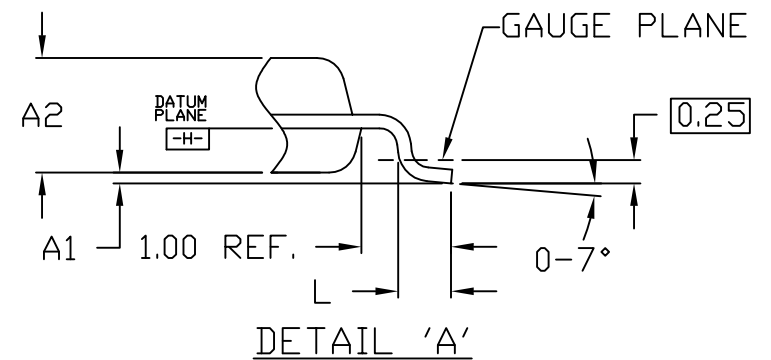
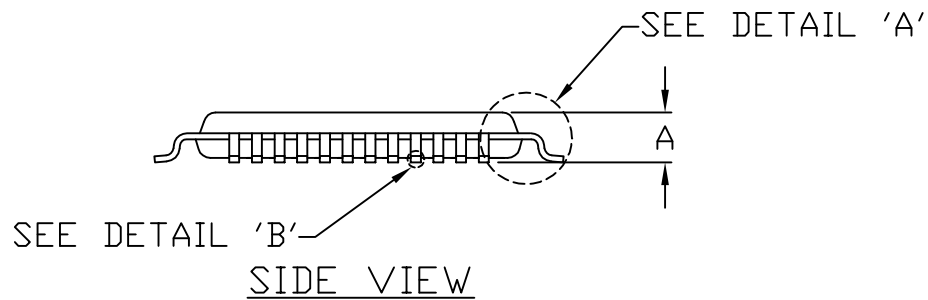


TOP VIEW



BOTTOM VIEW



MAXIM

TITLE:
PACKAGE OUTLINE,
48L TQFP, 7x7x1.0mm

APPROVAL
RAMON DE LEON
08/11/11

DOCUMENT CONTROL NO.
21-0561

REV. 1/2
A

-DRAWING NOT TO SCALE-

NOTES:

1. ALL DIMENSIONS ARE IN MILLIMETERS UNLESS OTHERWISE SPECIFIED.
2. ALL DIMENSIONS AND TOLERANCING CONFORM TO ANSI Y14.5-1982
3. DATUM PLANE $\square H$ IS LOCATED AT MOLD PARTING LINE AND COINCIDENT WITH LEAD, WHERE LEAD EXITS PLASTIC BODY AT BOTTOM OF PARTING LINE.
4. DIMENSIONS D1 AND E1 DO NOT INCLUDE MOLD PROTRUSION. ALLOWABLE MOLD PROTRUSION IS 0.25 MM PER SIDE.
5. THE TOP OF PACKAGE IS SMALLER THAN THE BOTTOM OF PACKAGE BY 0.15 MILLIMETERS.
6. DIMENSION b DOES NOT INCLUDE DAMBAR PROTRUSION. ALLOWABLE DAMBAR PROTRUSION SHALL BE 0.08 MM TOTAL IN EXCESS OF THE b DIMENSION AT MAXIMUM MATERIAL CONDITION.
7. THIS OUTLINE CONFORMS TO JEDEC PUBLICATION 95 REGISTRATION MS-026, VARIATION ABA-HD.
8. LEADS SHALL BE COPLANAR WITHIN 0.08 MM.
9. MARKING IS FOR PACKAGE ORIENTATION REFERENCE ONLY.
10. MATERIAL MUST COMPLY WITH BANNED AND RESTRICTED SUBSTANCES SPEC# 10-0131
11. ALL DIMENSIONS APPLY TO BOTH LEADED (-) AND P_bFREE (+) PKG. CODES.
12. PKG CODE: C48-11

S Y M B O L	JEDEC VARIATION		
	ABC		
	MIN.	NOM.	MAX.
A	0.15	0.15	1.20
A ₁	0.05	0.15	0.15
A ₂	0.95	1.00	1.05
D	9.00 BSC		
D ₁	7.00 BSC		
E	9.00 BSC		
E ₁	7.00 BSC		
L	0.45	0.60	0.75
N	48		
e	0.50 BSC		
b	0.17	0.22	0.27
b ₁	0.17	0.20	0.23
c	0.09	--	0.20
c ₁	0.09	--	0.16



TITLE:
PACKAGE OUTLINE,
48L TQFP, 7x7x1.0mm

APPROVAL
RAMON DE LEON
08/11/11

DOCUMENT CONTROL NO.
21-0561

REV. A 2/2

-DRAWING NOT TO SCALE-