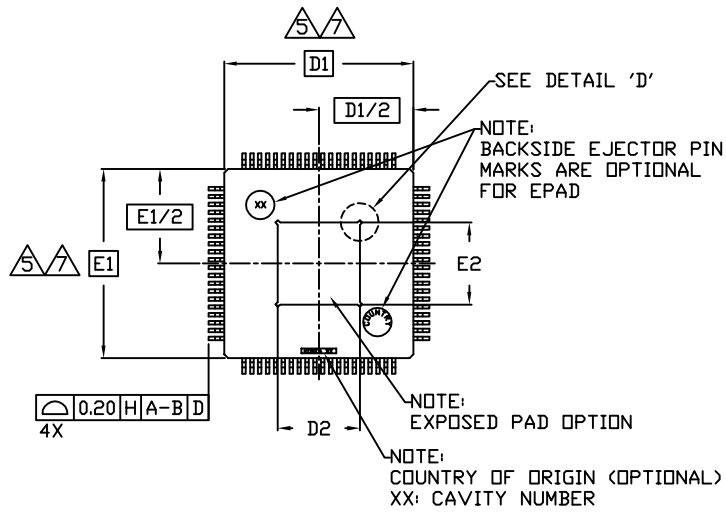
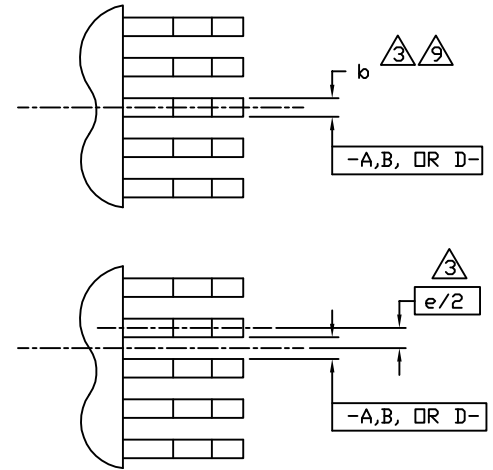


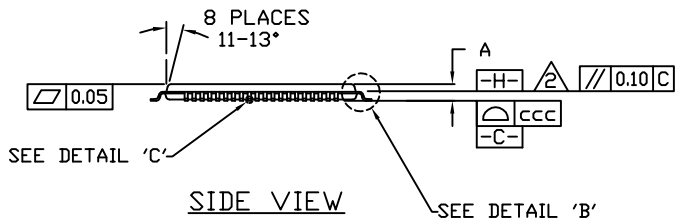
TOP VIEW



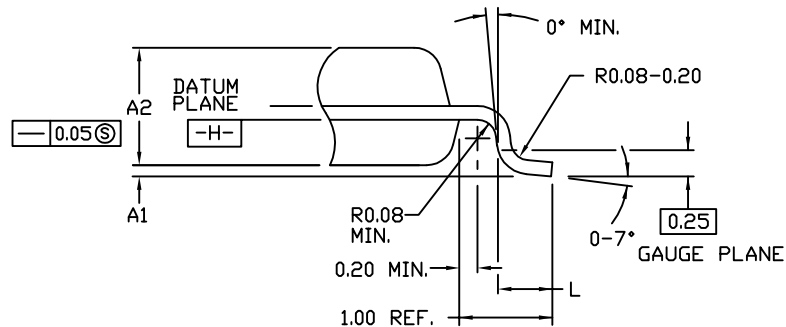
BOTTOM VIEW



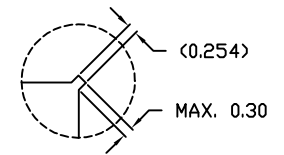
DETAIL 'A'
EVEN LEAD SIDES



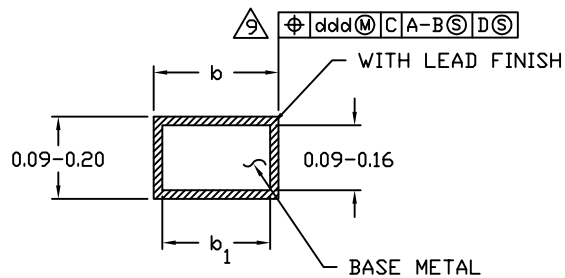
SIDE VIEW



DETAIL 'B'



DETAIL 'D'
(EXPOSED PAD CORNER DETAIL)



DETAIL 'C'



TITLE:
PACKAGE OUTLINE, 80L TQFP,
12x12x1.00mm WITH EXPOSED PAD OPTION

APPROVAL
BRIAN ESTILLERO
03/16/12

DOCUMENT CONTROL NO.
21-0115

REV. 1/2
D

NOTES:

1. ALL DIMENSIONING AND TOLERANCES CONFIRM TO ASME Y14.5-1994.
2. DATUM PLANE [H] LOCATED AT MOLD PARTING LINE AND COINCIDENT WITH LEAD, WHERE LEAD EXITS PLASTIC BODY AT BOTTOM OF PARTING LINE.
3. DATUMS [A-B] AND [D] TO BE DETERMINED AT CENTERLINE BETWEEN LEADS WHERE LEADS EXIT PLASTIC BODY AT DATUM PLANE [H]
4. TO BE DETERMINED AT SEATING PLANE [C]
5. DIMENSIONS D1 AND E1 DO NOT INCLUDE MOLD PROTRUSION. ALLOWABLE MOLD PROTRUSION IS 0.254 MM PER SIDE.
6. "N" IS NUMBER OF TERMINALS.
7. THESE DIMENSIONS TO BE DETERMINED AT DATUM PLANE [H].
8. PACKAGE TOP DIMENSIONS ARE SMALLER THAN THE BOTTOM. THE TOP OF THE PACKAGE WILL NOT OVERHANG THE BOTTOM OF THE PACKAGE.
9. DIMENSION b DOES NOT INCLUDE DAMBAR PROTRUSION. ALLOWABLE DAMBAR PROTRUSION SHALL BE 0.08mm TOTAL IN EXCESS OF THE b DIMENSION AT MAXIMUM MATERIAL CONDITION. DAMBAR CAN NOT BE LOCATED ON THE LOWER RADIUS OR THE FOOT.
10. ALL DIMENSIONS ARE IN MILLIMETERS UNLESS OTHERWISE SPECIFIED.
11. THIS OUTLINE CONFORMS TO JEDEC PUBLICATION 95 REGISTRATION MS-026, VARIATION AND ADD.
12. A1 IS DEFINED AS THE DISTANCE FROM THE SEATING PLANE TO THE LOWEST POINT OF THE PACKAGE BODY.
13. MAXIMUM ALLOWABLE DIE THICKNESS TO BE ASSEMBLED IN THIS PACKAGE FAMILY IS 0.50mm.
14. MATERIAL MUST COMPLY WITH BANNED AND RESTRICTED SUBSTANCES SPEC# 10-0131
15. ALL DIMENSIONS APPLY TO BOTH LEADED (-) AND PbFREE (+) PKG. CODES.

SYMBOL	DIMENSIONS			NOTES
	MIN.	NOM.	MAX.	
A	\approx	\approx	1.20	
A1	0.05	\approx	0.15	12
A2	0.95	1.00	1.05	
D	14.00 BSC.			4
D1	12.00 BSC.			7,8
E	14.00 BSC.			4
E1	12.00 BSC.			7,8
L	0.45	0.60	0.75	
N	80			
e	0.50 BSC.			
b	0.17	0.22	0.27	9
b1	0.17	0.20	0.23	
ccc	\approx	\approx	0.10	
ddd	\approx	\approx	0.08	

EXPOSED PAD VARIATIONS						
PKG. CODE	D2			E2		
	MIN.	NOM.	MAX.	MIN.	NOM.	MAX.
C80E-4	5.70	6.00	6.30	5.70	6.00	6.30



TITLE: PACKAGE OUTLINE, 80L TQFP, 12x12x1.00mm WITH EXPOSED PAD OPTION			
APPROVAL BRIAN ESTILLERO 03/16/12	DOCUMENT CONTROL NO. 21-0115	REV. D	2/2

-DRAWING NOT TO SCALE-