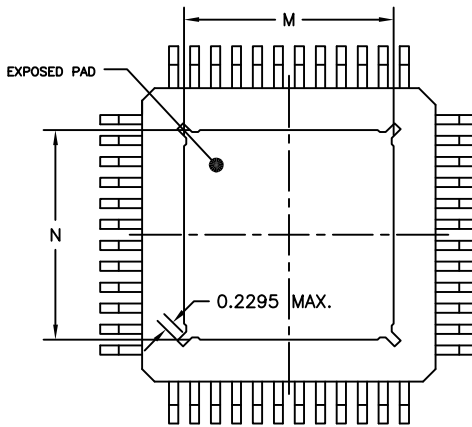
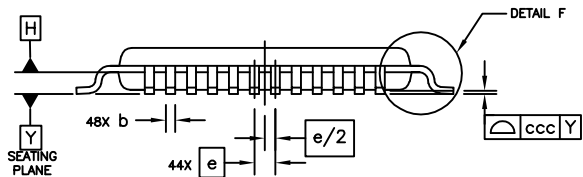


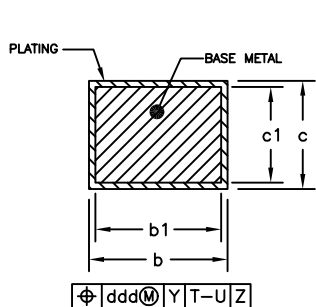
TOP VIEW



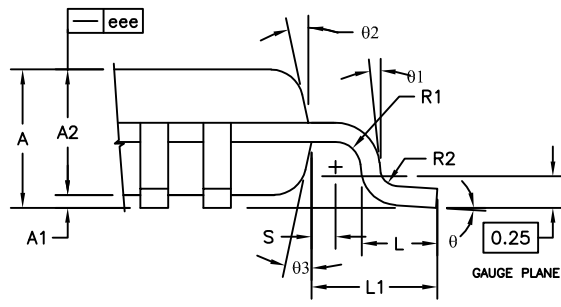
BOTTOM VIEW



SIDE VIEW



SECTION G-G



DETAIL F

	SYMBOL	MIN	NOM	MAX
TOTAL THICKNESS	A	---	---	1.2
STAND OFF	A1	0.05	---	0.15
MOLD THICKNESS	A2	0.95	1	1.05
LEAD WIDTH(PLATING)	b	0.17	0.22	0.27
LEAD WIDTH	b1	0.17	0.2	0.23
L/F THICKNESS(PLATING)	c	0.09	---	0.2
L/F THICKNESS	c1	0.09	---	0.16
	X	D	9 BSC	
	Y	E	9 BSC	
	X	D1	7 BSC	
	Y	E1	7 BSC	
BODY SIZE				
LEAD PITCH	e	0.5	0.5	BSC
	L	0.45	0.6	0.75
FOOTPRINT	L1	1	1	REF
	theta	0°	3.5°	7°
	theta1	0°	---	---
	theta2	11°	12°	13°
	theta3	11°	12°	13°
	R1	0.08	---	---
	R2	0.08	---	0.2
	S	0.2	---	---
EP SIZE	X	M	4.9	5
	Y	N	4.9	5
			5.1	5.1
PACKAGE EDGE TOLERANCE	aaa	---	0.2	
LEAD EDGE TOLERANCE	bbb	---	0.2	
COPLANARITY	ccc	---	0.08	
LEAD OFFSET	ddd	---	0.08	
MOLD FLATNESS	eee	---	0.05	

NOTES

- ALL DIMENSIONS ARE IN MILLIMETERS. ANGLES ARE IN DEGREES.
- DATUM T, U, AND Z TO BE DETERMINED AT DATUM PLANE H.
- DIMENSIONS D AND E TO BE DETERMINED AT SEATING PLANE DATUM Y.
- DIMENSIONS D1 AND E1 DO NOT INCLUDE MOLD PROTRUSION. ALLOWABLE PROTRUSION IS 0.25 PER SIDE. DIMENSIONS D1 AND E1 DO INCLUDE MOLD MISMATCH AND ARE DETERMINED AT DATUM PLANE DATUM H.
- DIMENSION b DOES NOT INCLUDE DAM BAR PROTRUSION. ALLOWABLE DAM BAR PROTRUSION SHALL NOT CAUSE THE LEAD WIDTH TO EXCEED THE MAXIMUM b DIMENSION BY MORE THAN 0.08 mm. DAM BAR CANNOT BE LOCATED ON THE LOWER RADIUS OR THE FOOT. MINIMUM SPACE BETWEEN PROTRUSION AND AN ADJACENT LEAD IS 0.07 mm. EXACT SHAPE OF EACH CORNER IS OPTIONAL.
- EXACT SHAPE OF EACH CORNER IS OPTIONAL.
- MATERIAL MUST BE COMPLIANT WITH MAXIM SPECIFICATION 10-0131 FOR SUBSTANCE CONTENT, MUST BE Eu ROHS COMPLIANT WITHOUT EXEMPTION AND PB-FREE.
- ALL DIMENSIONS APPLY TO PbFREE (+) PARTS.
- PACKAGE CODES: C48E+12C



TITLE:  
PACKAGE OUTLINE, 48L, TQFP-CU  
7X7X1mm

APPROVAL

DOCUMENT CONTROL NO.  
21-100582

REV.  
A

1/1