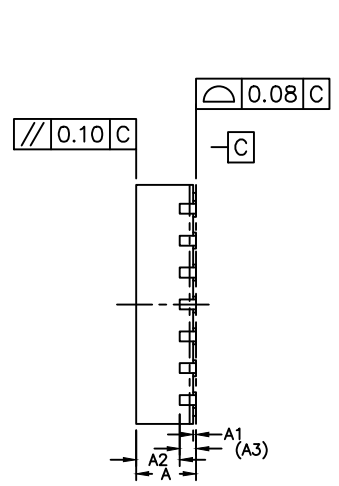
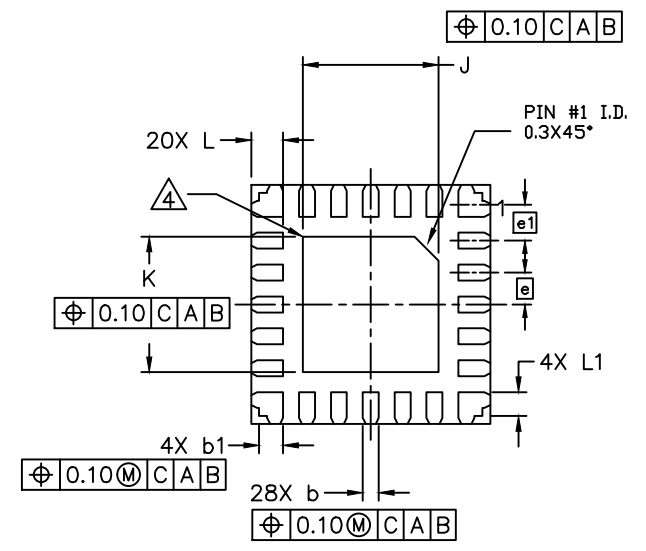


TOP VIEW



SIDE VIEW




BOTTOM VIEW

NOTES:

1. ALL DIMENSION AND TOLERANCE CONFORM TO ASME Y14.5M-1994.
2. ALL DIMENSION ARE IN MILLIMETERS UNLESS OTHERWISE SPECIFIED.
3. N IS THE TOTAL NUMBER OF TERMINALS.
4. BILATERAL COPLANARITY ZONE APPLIES TO THE EXPOSED PAD AS WELL AS THE TERMINALS.
5. ALL DIMENSION APPLY TO BOTH LEADED (-) AND PbFREE (+) PKG. CODES.
6. MARKING SHOWN IS FOR PACKAGE ORIENTATION REFERENCE ONLY.
7. CONTROLLING DIMENSION: mm.
8. PKG. CODE: T2433+2C.

COMMON DIMENSIONS			
DIM	MIN.	NOM.	MAX.
A	0.70	0.75	0.80
A1	0	0.035	0.05
A2		0.55	
A3	0.203 REF		
b	0.15	0.2	0.25
b1	0.25	0.3	0.35
e	0.40 BSC		
e1	0.45 BSC		
D	3.00 BSC		
E	3.00		
J	1.60	1.7	1.80
K	1.60	1.7	1.80
L	0.35	0.4	0.45
L1	0.25	0.3	0.35
N	24		

-DRAWING NOT TO SCALE-



maxim
integrated

TITLE:
PACKAGE OUTLINE, 24L TQFN
3x3x0.75mm

APPROVAL WENJIA SONG	DOCUMENT CONTROL NO. 21-100264	REV. 1 E
-------------------------	-----------------------------------	-------------