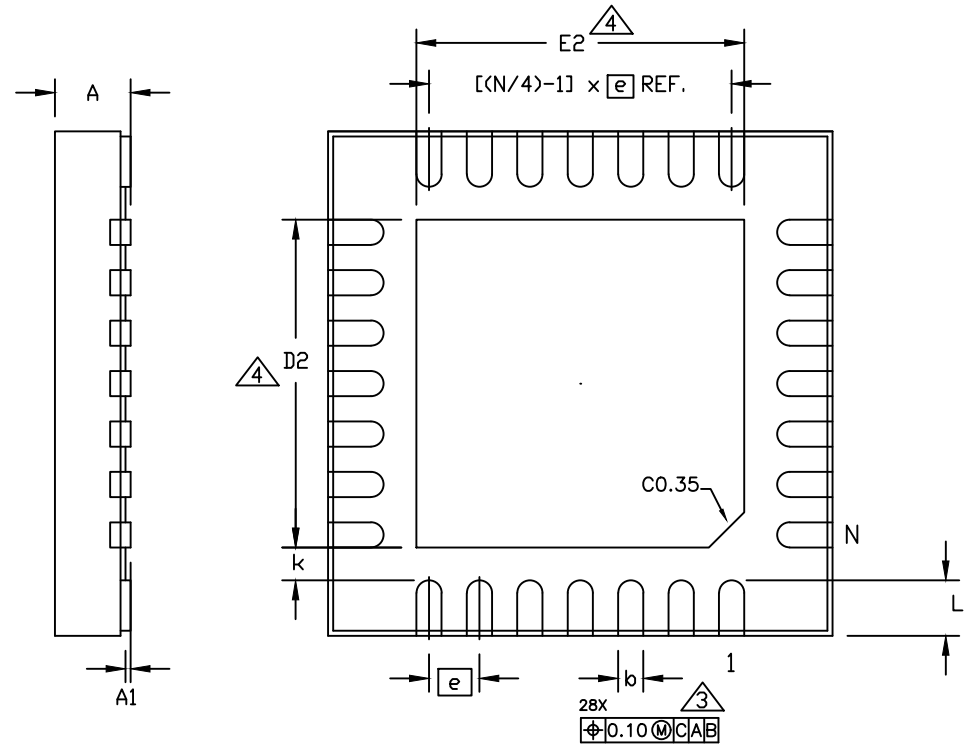
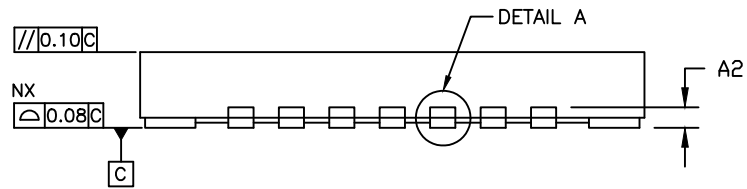


TOP VIEW

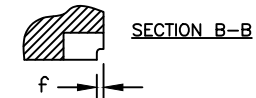
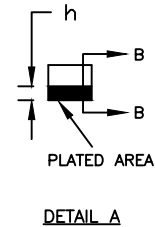


SIDE VIEW

BOTTOM VIEW



SIDE VIEW



-DRAWING NOT TO SCALE-



TITLE:  
28L, 32L TQFN 5x5x0.75mm  
SIDE-WETTABLE

APPROVAL

DOCUMENT CONTROL NO.  
21-100041

REV. 1  
G 1/2

DIMENSION VARIATIONS

PKG. CODES	D2			E2			k	L			h			N
	MIN.	NOM.	MAX.	MIN.	NOM.	MAX.		MIN.	NOM.	MAX.	MIN.	NOM.	MAX.	
T2855Y-6	3.15	3.25	3.35	3.15	3.25	3.35	0.325REF.	0.45	0.55	0.65	0.05	-	0.175	28
T2855Y-6C	3.15	3.25	3.35	3.15	3.25	3.35	0.325REF.	0.45	0.55	0.65	0.05	-	0.175	28
T3255Y-6	2.00	2.10	2.20	2.00	2.10	2.20	1.05 REF.	0.30	0.40	0.50	0.08 REF.			32
T3255Y-6C	2.00	2.10	2.20	2.00	2.10	2.20	1.05 REF.	0.30	0.40	0.50	0.08 REF.			32

COMMON DIMENSIONS

SYMBOL	MIN.	NOM.	MAX.
A	0.70	0.75	0.80
A1	0.0	-	0.05
A2	0.20 REF		
b	0.20	0.25	0.30
e	0.50 BSC		
D	5.00 BSC		
E	5.00 BSC		
f	0.01	0.05	0.09

NOTES:

- ALL DIMENSIONS ARE IN mm. ANGLES IN DEGREES.
- THE TERMINAL #1 IDENTIFIER AND TERMINAL NUMBERING CONVENTION SHALL CONFORM TO JESD 95-1 SPP-012. DETAILS OF TERMINAL #1 IDENTIFIER ARE OPTIONAL, BUT MUST BE LOCATED WITHIN THE ZONE INDICATED. THE TERMINAL #1 IDENTIFIER MAY BE EITHER A MOLD OR MARKED FEATURE.
- DIMENSION b APPLIES TO METALLIZED TERMINAL AND IS MEASURED BETWEEN 0.25 mm AND 0.30 mm FROM TERMINAL TIP. IF THE TERMINAL HAS THE OPTIONAL RADIUS ON THE OTHER END OF THE TERMINAL, THE DIMENSION SHOULD NOT BE MEASURED IN THAT RADIUS AREA.
- COPLANARITY APPLIES TO THE EXPOSED PAD AS WELL AS THE TERMINALS AND SHALL NOT EXCEED 0.08 mm.
- WARPAGE SHALL NOT EXCEED 0.10 mm.
- PACKAGE LENGTH/PACKAGE WIDTH ARE CONSIDERED AS SPECIAL CHARACTERISTIC(S).
- DRAWING CONFORMS TO JEDEC MO220.
- "N" IS THE TOTAL NUMBER OF LEADS, AND IS SHOWN FOR REFERENCE ONLY.
- MARKING IS FOR PACKAGE ORIENTATION REFERENCE ONLY.
- MATERIAL MUST BE COMPLIANT WITH MAXIM SPECIFICATION 10-0131 FOR SUBSTANCE CONTENT, MUST BE EU ROHS COMPLIANT WITHOUT EXEMPTION AND PB-FREE.
- ALL DIMENSIONS APPLY TO PbFREE (+) PKG. CODE ONLY.



TITLE:  
28L, 32L TQFN 5x5x0.75mm  
SIDE-WETTABLE

APPROVAL	DOCUMENT CONTROL NO. 21-100041	REV. G	2/2
----------	-----------------------------------	-----------	-----

-DRAWING NOT TO SCALE-