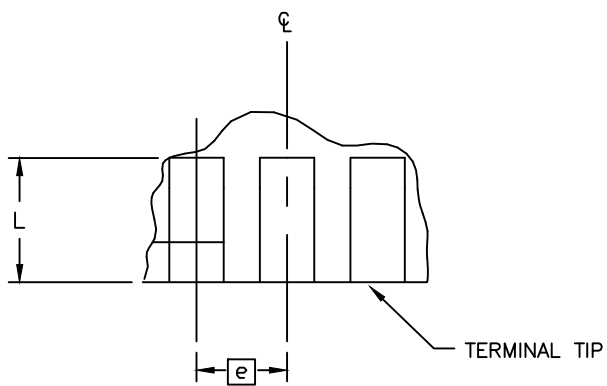
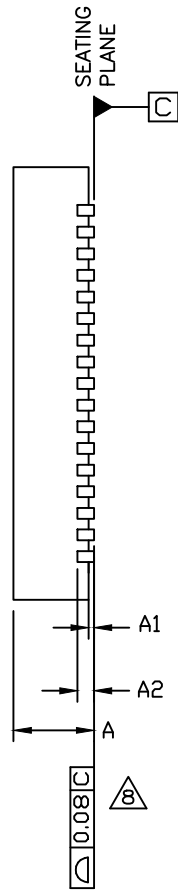


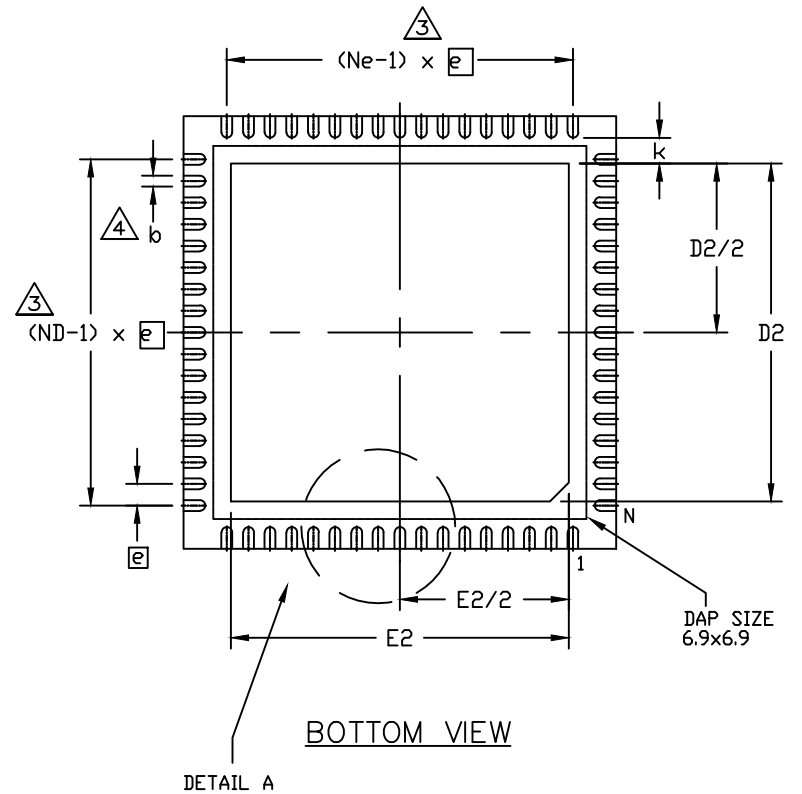
TOP VIEW



DETAIL A



SIDE VIEW



TITLE:  
 PACKAGE OUTLINE,  
 68L THIN QFN, 8x8x0.75mm

APPROVAL  
 WENJIA SONG

DOCUMENT CONTROL NO.  
 21-0510

REV. D 1/2

-DRAWING NOT TO SCALE-

NOTES:

1. DIE THICKNESS ALLOWABLE IS 0.225mm MAXIMUM (0.009 INCHES MAXIMUM).

2. DIMENSIONING & TOLERANCES CONFORM TO ASME Y14.5M. - 1994.

3. N IS THE NUMBER OF TERMINALS.  
Nd IS THE NUMBER OF TERMINALS IN X-DIRECTION &  
Ne IS THE NUMBER OF TERMINALS IN Y-DIRECTION.

4. DIMENSION b APPLIES TO PLATED TERMINAL AND IS MEASURED BETWEEN 0.20 AND 0.25mm FROM TERMINAL TIP.

5. THE PIN #1 IDENTIFIER MUST BE LOCATED ON THE TOP SURFACE OF THE PACKAGE WITHIN HATCHED AREA AS SHOWN. EITHER AN INDENTATION MARK OR INK/LASER MARK IS ACCEPTABLE.

ALL DIMENSIONS ARE IN MILLIMETERS.

6. PACKAGE WARPAGE MAX 0.10mm.

7. APPLIES TO EXPOSED PAD AND TERMINALS. EXCLUDES INTERNAL DIMENSION OF EXPOSED PAD.

8. MEETS JEDEC MQ220.

9. MARKING SHOWN IS FOR PACKAGE ORIENTATION REFERENCE ONLY.

10. NUMBER OF LEADS ARE FOR REFERENCE ONLY.

11. ALL DIMENSIONS APPLY TO BOTH LEADED (-) AND PbFREE (+) PARTS.

12.

| SYMBOL | 68L 8x8  |      |      | NOTE |
|--------|----------|------|------|------|
|        | MIN.     | NOM. | MAX. |      |
| A      | 0.70     | 0.75 | 0.80 |      |
| b      | 0.15     | 0.20 | 0.25 | 4    |
| D      | 7.90     | 8.00 | 8.10 |      |
| E      | 7.90     | 8.00 | 8.10 |      |
| Ⓢ      | 0.40 BSC |      |      |      |
| N      | 68       |      |      | 3    |
| Nd     | 17       |      |      | 3    |
| Ne     | 17       |      |      | 3    |
| L      | 0.30     | 0.40 | 0.50 |      |
| A1     | 0.00     | 0.02 | 0.05 |      |
| A2     | 0.20 REF |      |      |      |
| k      | 0.25     | --   | --   |      |

EXPOSED PAD VARIATION

| PKG. CODE | D2   |      |      | E2   |      |      | JEDEC  |
|-----------|------|------|------|------|------|------|--------|
|           | MIN. | NOM. | MAX. | MIN. | NOM. | MAX. |        |
| T6888+1   | 6.10 | 6.25 | 6.40 | 6.10 | 6.25 | 6.40 | WLLE-1 |
| T6888+2   | 6.10 | 6.25 | 6.40 | 6.10 | 6.25 | 6.40 | WLLE-1 |
| T6888+2C  | 6.10 | 6.25 | 6.40 | 6.10 | 6.25 | 6.40 | WLLE-1 |
| T6888MK+2 | 6.10 | 6.25 | 6.40 | 6.10 | 6.25 | 6.40 | WLLE-1 |



TITLE:  
PACKAGE OUTLINE,  
68L THIN QFN, 8x8x0.75mm

|                         |                                 |           |     |
|-------------------------|---------------------------------|-----------|-----|
| APPROVAL<br>WENJIA SONG | DOCUMENT CONTROL NO.<br>21-0510 | REV.<br>D | 2/2 |
|-------------------------|---------------------------------|-----------|-----|

-DRAWING NOT TO SCALE-