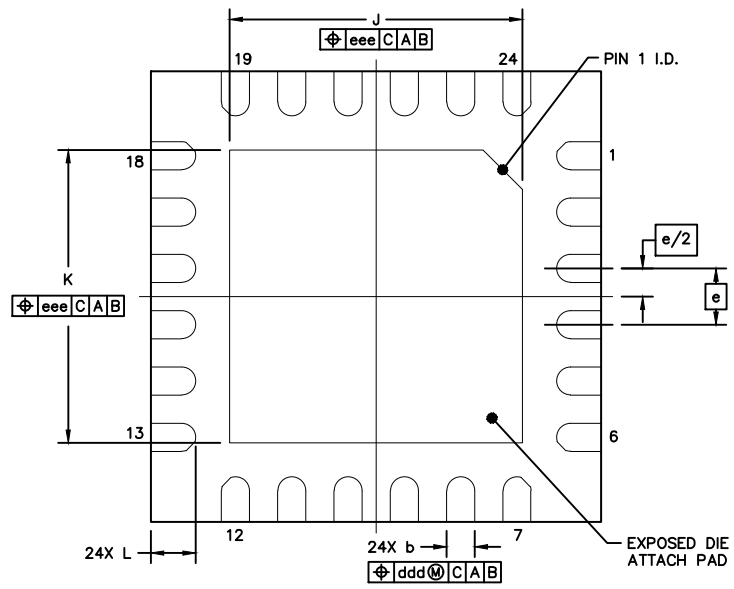


|                        | SYMBOL | MIN       | NOM   | MAX  |     |
|------------------------|--------|-----------|-------|------|-----|
| TOTAL THICKNESS        | A      | 0.7       | 0.75  | 0.8  |     |
| STAND OFF              | A1     | 0         | 0.035 | 0.05 |     |
| MOLD THICKNESS         | A2     | ---       | 0.55  | ---  |     |
| L/F THICKNESS          | A3     | 0.203 REF |       |      |     |
| LEAD WIDTH             | b      | 0.2       | 0.25  | 0.3  |     |
| BODY SIZE              | X      | D         | 4 BSC |      |     |
|                        | Y      | E         | 4 BSC |      |     |
| LEAD PITCH             | e      | 0.5 BSC   |       |      |     |
| EP SIZE                | X      | J         | 2.5   | 2.6  | 2.7 |
|                        | Y      | K         | 2.5   | 2.6  | 2.7 |
| LEAD LENGTH            | L      | 0.35      | 0.4   | 0.45 |     |
| PACKAGE EDGE TOLERANCE | aaa    | 0.1       |       |      |     |
| MOLD FLATNESS          | bbb    | 0.1       |       |      |     |
| COPLANARITY            | ccc    | 0.08      |       |      |     |
| LEAD OFFSET            | ddd    | 0.1       |       |      |     |
| EXPOSED PAD OFFSET     | eee    | 0.1       |       |      |     |



- NOTES:
1. ALL DIMENSION AND TOLERANCE CONFORM TO ASME Y14.5M-1994.
  2. ALL DIMENSION ARE IN MILLIMETERS UNLESS OTHERWISE SPECIFIED.
  3. N IS THE TOTAL NUMBER OF TERMINALS.
  4. BILATERAL COPLANARITY ZONE APPLIES TO THE EXPOSED PAD AS WELL AS THE TERMINALS.
  5. ALL DIMENSION APPLY TO BOTH LEADED (-) AND PbFREE (+) PKG. CODES.
  6. DRAWING CONFORMS TO JEDEC MO-220.
  7. MARKING SHOWN IS FOR PACKAGE ORIENTATION REFERENCE ONLY.
  8. CONTROLLING DIMENSION: mm.
  9. PKG. CODE: T2444-5C

-DRAWING NOT TO SCALE-



maxim  
integrated<sub>llc</sub>

---

TITLE:  
PACKAGE OUTLINE, 24L, TQFN  
4X4X0.75MM

|          |                                   |           |     |
|----------|-----------------------------------|-----------|-----|
| APPROVAL | DOCUMENT CONTROL NO.<br>21-100405 | REV.<br>A | 1/1 |
|----------|-----------------------------------|-----------|-----|