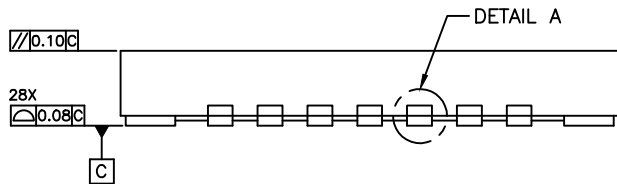
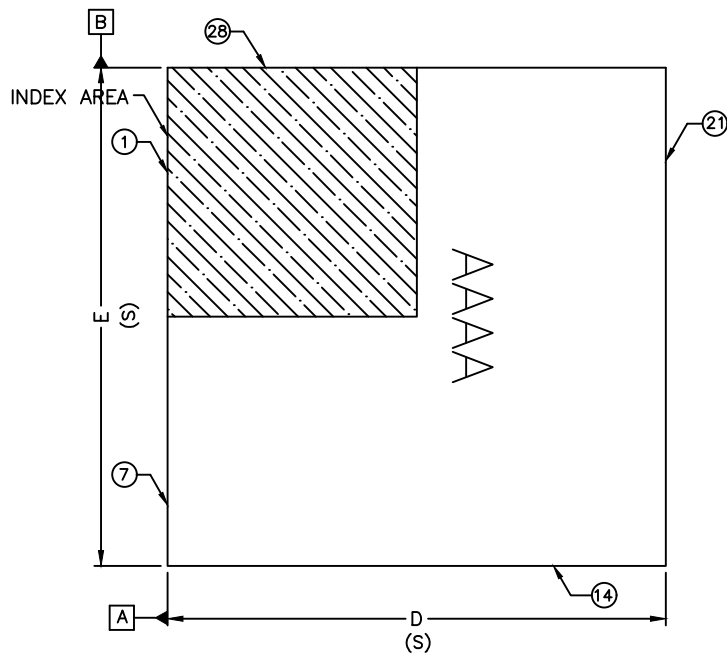


CHANGE DETAILS

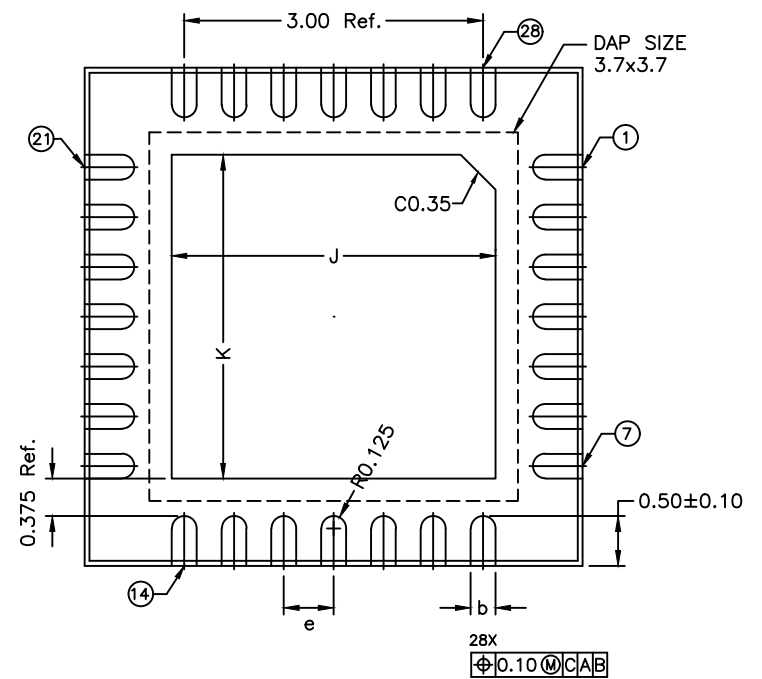
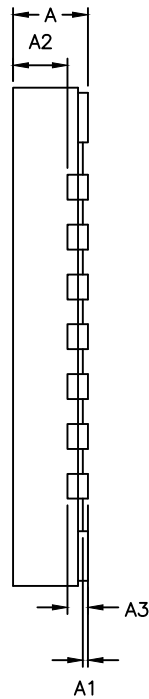
FROM	TO
	Add Dimension Table, letters. Add marking orientation "AAAA".

Maxim Integrated	TITLE: PACKAGE OUTLINE, 28L, SW TQFN 5X5X0.75mm		
	DOCUMENT I.D. 21-100297	REVISION B	PAGE 1

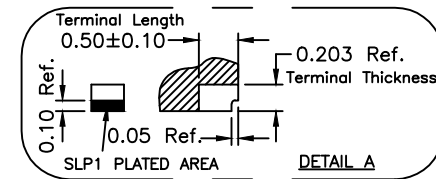


NOTE :

1. ALL DIMENSIONS ARE IN mm. ANGLES IN DEGREES.
2. COPLANARITY APPLIES TO THE EXPOSED PAD AS WELL AS THE TERMINALS. COPLANARITY SHALL NOT EXCEED 0.08 mm.
3. WARPAGE SHALL NOT EXCEED 0.10 mm.
4. PACKAGE LENGTH / PACKAGE WIDTH ARE CONSIDERED AS SPECIAL CHARACTERISTIC. (S)
5. REFER TO JEDEC MO-220.
6. L/F STOCK#NEW
7. PACKAGE CODE: T2855Y-12C



COMMON DIMENSIONS			
DIM	MIN.	NOM.	MAX.
A	0.70	0.75	0.80
A1	0	0.035	0.05
A2		0.55	
A3	0.203 REF		
b	0.2	0.25	0.3
e	0.50 BSC		
D	5.00		
E	5.00		
J	3.15	3.25	3.35
K	3.15	3.25	3.35
L	0.40	0.50	0.60
N	28		



TITLE:
PACKAGE OUTLINE,
28L, SW TQFN 5X5X0.75mm

APPROVAL
CHUCK XIA

DOCUMENT CONTROL NO.
21-100297

REV. 1
B 1/1

-DRAWING NOT TO SCALE-