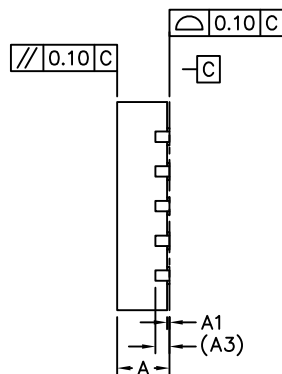
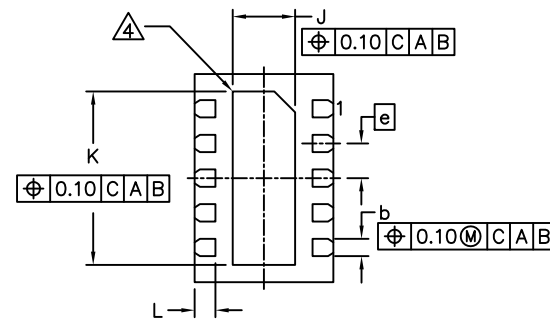


TOP VIEW



SIDE VIEW



BOTTOM VIEW

NOTES:

1. ALL DIMENSION AND TOLERANCE CONFORM TO ASME Y14.5M-1994.
2. ALL DIMENSION ARE IN MILLIMETERS UNLESS OTHERWISE SPECIFIED.
3. N IS THE TOTAL NUMBER OF TERMINALS.
4. BILATERAL COPLANARITY ZONE APPLIES TO THE EXPOSED PAD AS WELL AS THE TERMINALS.
5. ALL DIMENSION APPLY TO PbFREE (+) PKG. CODES.
6. DRAWING CONFORMS TO JEDEC MO-229.
7. CONTROLLING DIMENSION:mm.
8. PKG. CODE: T1032+2C.

COMMON DIMENSIONS			
DIM	MIN.	NOM.	MAX.
A	0.70	0.75	0.80
A1	0	0.035	0.05
A3	0.203		REF
b	0.20	0.25	0.30
e	0.50		BSC
D	2.00		BSC
E	3.00		BSC
J	0.80	0.90	1.00
K	2.40	2.50	2.60
L	0.25	0.3	0.35
N	10		



CONFIDENTIAL & PROPRIETARY

TITLE:

PACKAGE OUTLINE, 10L, TDFN, 2X3X0.75mm

APPROVAL  
Chuck Xia

PACKAGE OUTLINE NO.  
21-100125

REV.  
A

1/1

-DRAWING NOT TO SCALE-