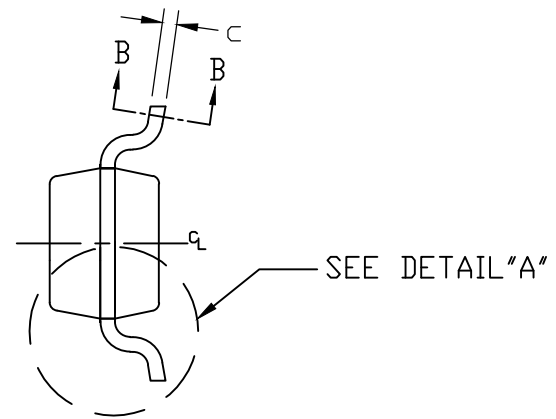
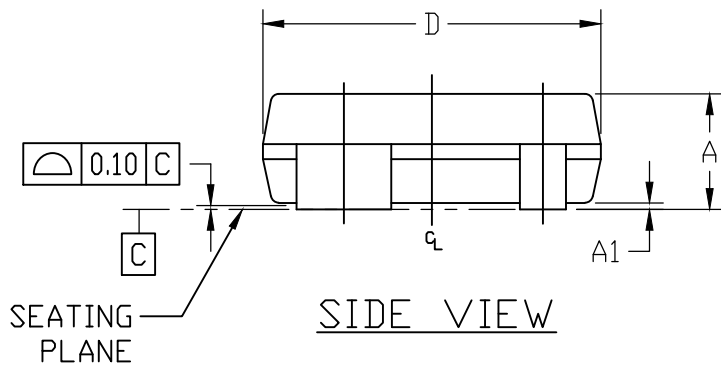


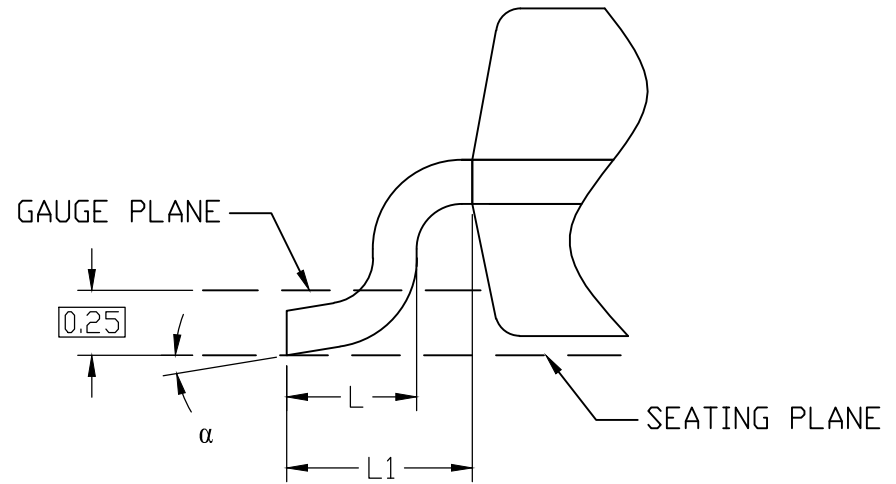
TOP VIEW



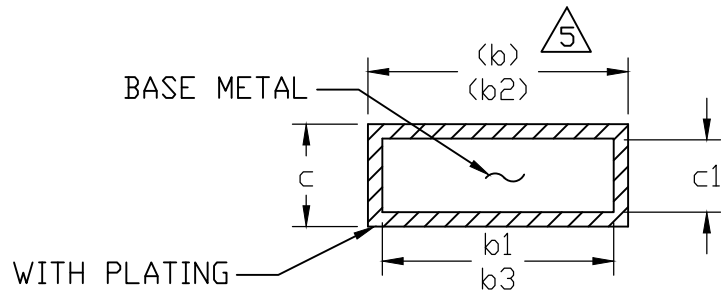
END VIEW



SIDE VIEW

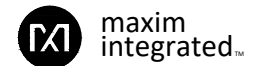


DETAIL "A"



SECTION "B-B"

-DRAWING NOT TO SCALE-




TITLE:
PACKAGE OUTLINE,
4L SOT23

APPROVAL
RHINI KESAVAN

DOCUMENT CONTROL NO.
21-0052

REV. J 1/2

NOTES:

1. ALL DIMENSIONS ARE IN MILLIMETERS UNLESS OTHERWISE SPECIFIED.
2. D AND E DO NOT INCLUDE MOLD FLASH.
3. MOLD FLASH OR PROTRUSION SHALL NOT EXCEED 0.15mm (.006").
4. MEETS JEDEC TO253.
5.  THESE DIMENSIONS APPLY TO THE FLAT SECTION OF THE LEAD BETWEEN 0.08mm AND 0.15mm FROM THE LEAD TIP.
6. MATERIAL MUST COMPLY WITH BANNED AND RESTRICTED SUBSTANCES SPEC # 10-0131.
7. ALL DIMENSIONS APPLY TO BOTH LEADED (-) AND LEAD FREE (+) PACKAGE CODES.
8. PKG CODES: U4+1, U4+1A, U4+2, U4+1C

DIM	INCHES			MILLIMETERS		
	MIN	NOM	MAX	MIN	NOM	MAX
A	0.031	0.0394	0.048	0.80	1.000	1.22
A1	0.000	0.0022	0.006	0.01	0.056	0.15
b	0.014	0.0157	0.020	0.35	0.400	0.50
b1	0.012	-	0.018	0.30	-	0.45
b2	0.030	0.0323	0.035	0.76	0.820	0.89
b3	0.012	-	0.033	0.76	-	0.84
c	0.003	0.0051	0.008	0.08	0.130	0.20
c1	0.003	-	0.006	0.08	-	0.16
D	0.110	0.1150	0.120	2.80	2.920	3.04
E	0.083	0.0933	0.104	2.10	2.370	2.64
E1	0.047	0.0512	0.055	1.20	1.300	1.40
e	0.076 BSC.			1.92 BSC.		
e1	0.008 BSC.			0.20 BSC.		
L	0.016	-	0.024	0.40	-	0.60
L1	0.021 REF.			0.54 REF.		
S	0.018	0.0207	0.024	0.45	0.525	0.60
α	0°	2°	8°	0°	2°	8°

-DRAWING NOT TO SCALE-

			
TITLE: PACKAGE OUTLINE, 4L SOT23			
APPROVAL RDHINI KESAVAN	DOCUMENT CONTROL NO. 21-0052	REV. J	2/2