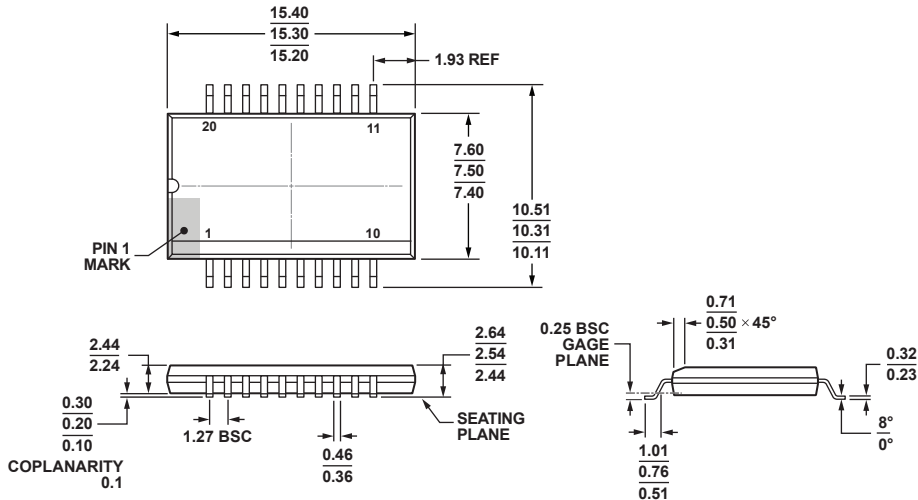


**20-Lead Standard Small Outline Package, with Increased Creepage [SOIC_IC]
Wide Body
(RI-20-1)**

Dimensions shown in millimeters.



COMPLIANT TO JEDEC STANDARDS MS-013