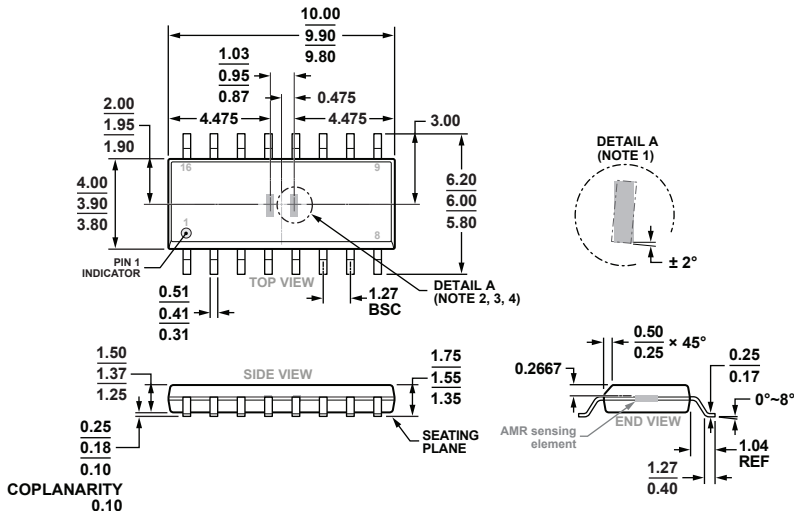


16-Lead Standard Small Outline Package [SOIC_N]
Narrow Body
(R-16-S)

Dimensions shown in millimeters



COMPLIANT TO JEDEC STANDARDS MS-012-AC

NOTES:

1. MAXIMUM SENSOR ROTATION IS SHOWN IN DETAIL A.
2. THIS DIMENSION AND TRUE POSITION SPECIFY THE LOCATION OF THE CENTER OF THE SENSING ELEMENTS WITH RESPECT TO EACH OTHER AND CENTER OF THE PACKAGE.
3. DOES NOT INCLUDE MOLD FLASH, DAMBAR PROTRUSIONS, OR BURRS.
4. MOLD BODY WIDTH AND LENGTH DIMENSIONS DO NOT INCLUDE MOLD FLASH, OFFSETS, OR MOLD GATE PROTRUSIONS.