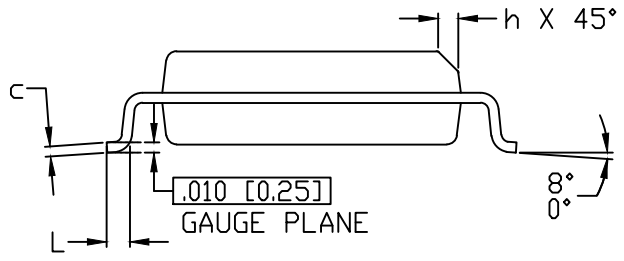
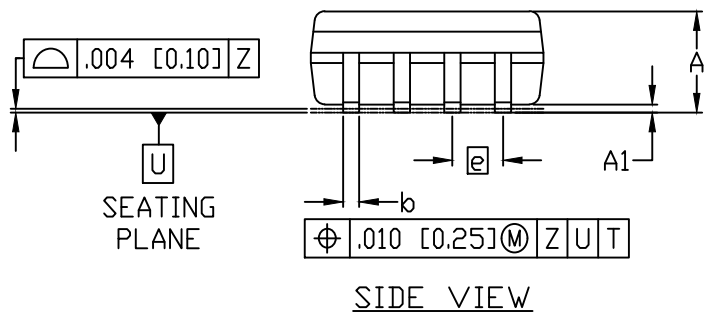



COMMON DIMENSIONS				
SYMBOL	INCHES		MM	
	MIN.	MAX.	MIN.	MAX.
A	.092	.104	2.35	2.65
A1	.004	.012	0.10	0.30
b	.012	.020	0.31	0.51
c	.008	.013	0.20	0.33
D	.222	.238	5.65	6.05
E1	.291	.299	7.40	7.60
E	.398	.414	10.11	10.51
e	.050 BSC		1.27 BSC	
L	.016	.030	0.40	0.75
h	.010	.030	0.25	0.75
N	8			



- NOTES:
1. ALL DIMENSIONS ARE IN MILLIMETERS UNLESS OTHERWISE SPECIFIED.
 2. DIMENSION D DOES NOT INCLUDE MOLD FLASH, PROTRUSIONS OR GATE BURRS. MOLD FLASH, PROTRUSIONS OR GATE BURRS SHALL NOT EXCEED .006in (0.15mm) PER END.
 3. DIMENSION E1 DOES NOT INCLUDE INTERLEAD FLASH OR PROTTUSION. INTERLEAD FLASH OR PROTRUSION SHALL NOT EXCEED .010in (0.25mm) PER SIDE.
 4. DIMENSION b DOES NOT INCLUDE DAM BAR PROTRUSION. ALLOWABLE DAM BAR PROTRUSION SHALL BE .005in (0.127mm) TOTAL IN EXCESS OF THE b DIMENSION AT MAXIMUM MATERIAL CONDITION.
 5. N = NUMBER OF PINS.
 6. ALL DIMENSIONS APPLY TO BOTH LEADED (-) AND PbFREE (+) PKG. CODES.
 7. PACKAGE CODE: W8MS+5, W8MS+6, W8MS+7

-DRAWING NOT TO SCALE-


**maxim
integrated**

TITLE:
PACKAGE OUTLINE, 8L, SOIC (W),
5.85X7.3X2.3MM 0.300"

APPROVAL RDHINI KESAVAN	DOCUMENT CONTROL NO. 21-100415	REV. 1 C
----------------------------	-----------------------------------	-------------