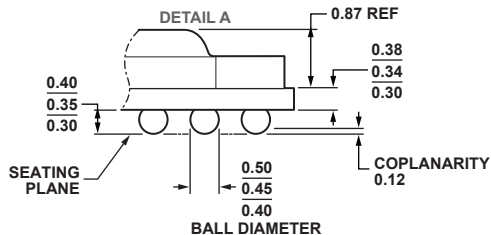
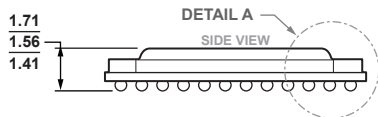
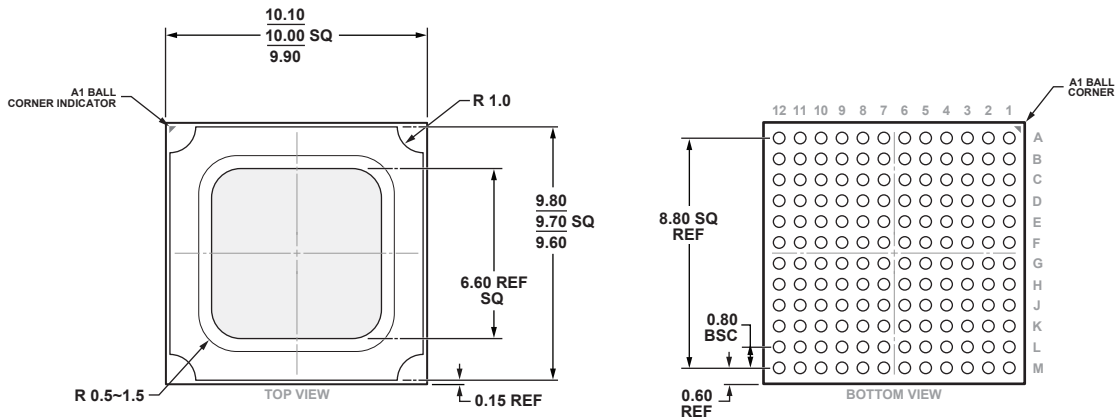


**144-Ball Ball Grid Array, Thermally Enhanced [BGA_ED]
(BP-144-1)**

Dimensions shown in millimeters



COMPLIANT TO JEDEC STANDARDS MO-275-EEAB-1.