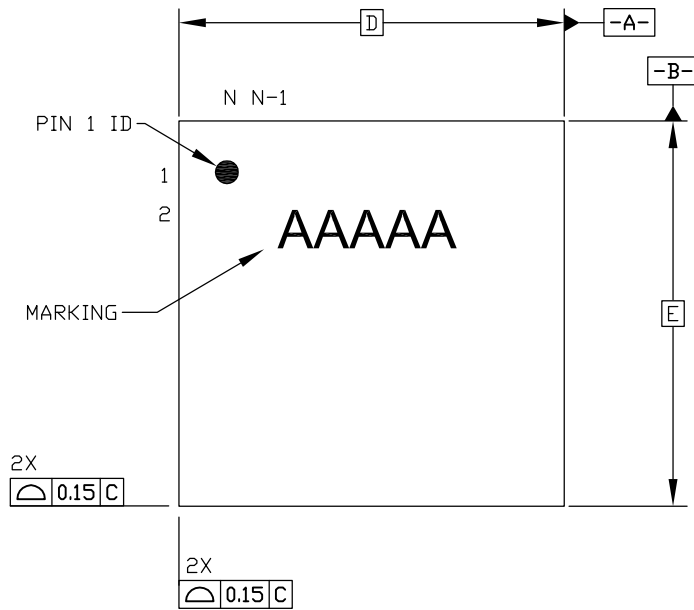
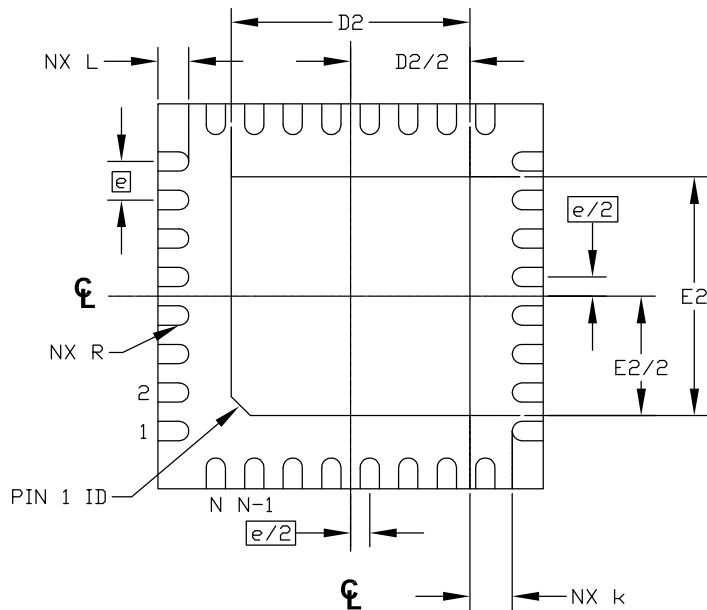


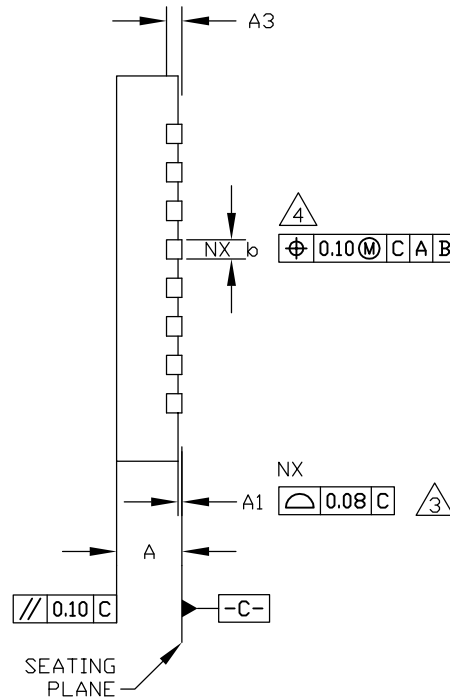
TOP VIEW



BOTTOM VIEW



SIDE VIEW



DIM	MILLIMETERS			INCHES		
	MIN	NOM	MAX	MIN	NOM	MAX
A	0.80	0.85	0.90	0.031	0.033	0.035
A1	0.00	0.02	0.05	0.000	0.001	0.002
A3	0.20 REF			0.008 REF		
b	0.20	0.25	0.30	0.008	0.010	0.012
D	4.90	5.00	5.10	0.193	0.197	0.201
D2	3.00	3.10	3.20	0.118	0.122	0.126
E	4.90	5.00	5.10	0.193	0.197	0.201
E2	3.00	3.10	3.20	0.118	0.122	0.126
e	0.45	0.50	0.55	0.018	0.020	0.022
k	0.55 REF			0.022 REF		
L	0.30	0.40	0.50	0.012	0.016	0.020
N	32 PINS			32 PINS		
ND	8 PINS			8 PINS		
NE	8 PINS			8 PINS		

NOTES:

1. ALL DIMENSIONS ARE IN MILLIMETERS.
2. DIMENSIONING AND TOLERANCING CONFORM TO ASME Y14.5M.-2009.
3. COPLANARITY APPLIES TO BOTH TERMINALS AND HEAT SINK.
4. DIMENSION B APPLIES TO METALLIZED TERMINAL AND IS MEASURED BETWEEN 0.20MM AND 0.30MM FROM THE TERMINAL TIP. IF THE TERMINAL HAS THE OPTIONAL RADIUS ON THE OTHER END OF THE TERMINAL, THE DIMENSION B SHOULD NOT BE MEASURED IN THAT RADIUS AREA.
5. PACKAGE IS JEDEC MO-220 COMPLIANT.
6. N IS THE TOTAL NUMBER OF TERMINALS
7. MARKING SHOWN IS FOR PKG. ORIENTATION PURPOSE ONLY.
8. MATERIAL MUST COMPLY WITH BANNED AND RESTRICTED SUBSTANCES SPEC #10-0131.
9. ALL DIMENSIONS APPLY TO PBFREE (+) PKG. CODES ONLY.
10. PACKAGE CODE: K3255+1



TITLE:
PACKAGE OUTLINE, 32L
SAWN QFN, 5.00 x 5.00 x 0.85mm

APPROVAL	DOCUMENT CONTROL NO. 21-1011	REV. A	1/1
----------	---------------------------------	-----------	-----

-DRAWING NOT TO SCALE-