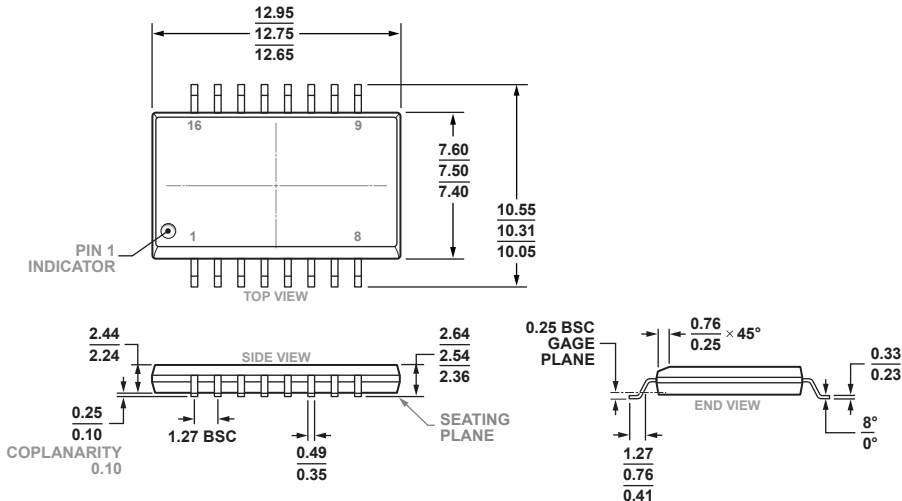


**16-Lead Standard Small Outline Package, with Increased Creepage [SOIC\_IC]  
Wide Body  
(RI-16-2)**

Dimensions shown in millimeters.



COMPLIANT TO JEDEC STANDARDS MS-013-AC