

(PUNCH QFN VERSION)

-DRAWING NOT TO SCALE-

TITLE: PACKAGE OUTLINE, 56L PUNCH QFN, 7x7x0.85mm		
APPROVAL ZHEN LI	DOCUMENT CONTROL NO. 21-100073	REV. C 1/3


NOTES:

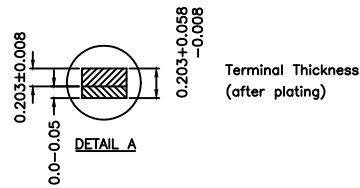
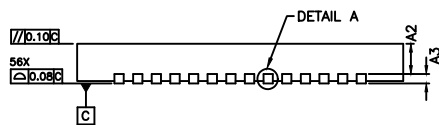
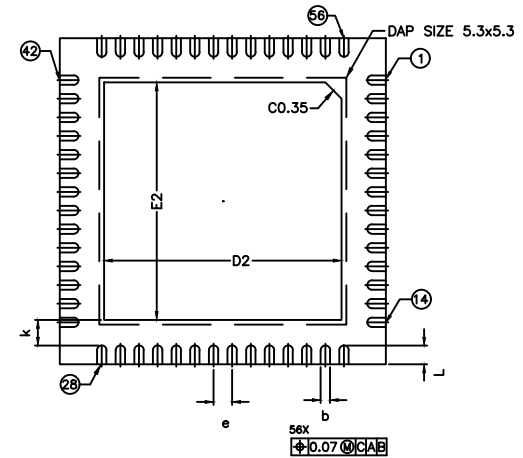
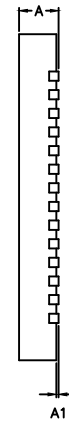
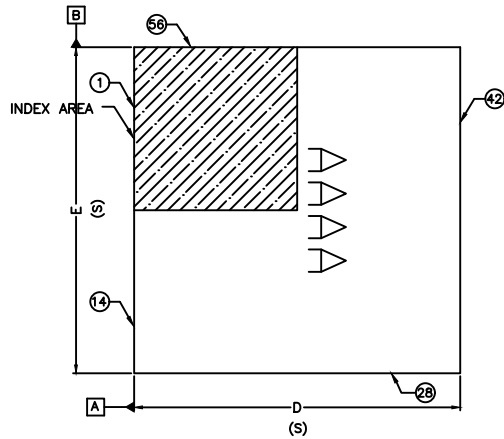
1. ALL DIMENSIONS ARE IN MILLIMETERS UNLESS OTHERWISE SPECIFIED.
2. ALL DIMENSIONING AND TOLERANCING CONFORM TO ASME Y14.5M, - 1994.
3. DIMENSION *b* APPLIES TO PLATED TERMINAL AND IS MEASURED BETWEEN 0.15 AND 0.30mm FROM TERMINAL TIP.
4. THE PIN #1 IDENTIFIER MUST EXIST ON THE TOP SURFACE OF THE PACKAGE BY USING INDENTATION MARK OR OTHER FEATURE OF PACKAGE BODY.
5. BILATERAL COPLANARITY ZONE APPLIES TO THE EXPOSED PAD AS WELL AS THE TERMINALS.
6. MARKING SHOWN IS FOR PACKAGE ORIENTATION REFERENCE ONLY.
7. N IS THE NUMBER OF TERMINALS.  
NE IS THE NUMBER OF TERMINALS IN X-DIRECTION  
ND IS THE NUMBER OF TERMINALS IN Y-DIRECTION.
8. DRAWING CONFORMS TO JEDEC MO-220
9. MATERIAL MUST BE COMPLIANT WITH MAXIM SPECIFICATION 10-0131 FOR SUBSTANCE CONTENT, MUST BE Eu ROHS COMPLIANT WITHOUT EXEMPTION AND PB-FREE.
10. ALL DIMENSIONS APPLY TO PbFREE (+) PKG CODES ONLY.
11. PKG CODE: G5677+2

SYMBOL	DIMENSIONS		
	MIN.	NOM.	MAX.
A	0.800	0.850	0.900
A1	0.005	0.025	0.045
A2	0.600	0.650	0.700
A3	0.190	-	0.245
b	0.150	0.200	0.270
D	7.00 BSC		
D1	6.75 BSC		
E	7.00 BSC		
E1	6.75 BSC		
D2	4.95	5.10	5.25
E2	4.95	5.10	5.25
e	0.400 BSC		
L	0.300	0.400	0.500
θ	10°	11°	12°

-DRAWING NOT TO SCALE-

(PUNCH QFN VERSION)

 <b>maxim</b> integrated.		
TITLE: PACKAGE OUTLINE, 56L PUNCH QFN, 7x7x0.85mm		
APPROVAL ZHEN LI	DOCUMENT CONTROL NO. 21-100073	REV. C 2/3



PKG REF	DIMENSIONS		
	MIN.	NOM.	MAX.
A	0.80	0.85	0.90
A1	0.00	-	0.05
A2	-	0.65	-
A3	0.203 REF		
b	0.15	0.20	0.25
D	6.90	7.00	7.10
E	6.90	7.00	7.10
D2	5.00	5.10	5.20
E2	5.00	5.10	5.20
e	0.4 BSC		
k	0.55 REF		
L	0.30	0.40	0.50
N	56		

NOTE :

1. ALL DIMENSIONS ARE IN mm. ANGLES IN DEGREES.
2. COPLANARITY APPLIES TO THE EXPOSED PAD AS WELL AS THE TERMINALS. COPLANARITY SHALL NOT EXCEED 0.08 mm.
3. WARPAGE SHALL NOT EXCEED 0.10 mm.
4. PACKAGE LENGTH / PACKAGE WIDTH ARE CONSIDERED AS SPECIAL CHARACTERISTIC. (S)
5. REFER JEDEC MO-220.



TITLE:  
PACKAGE OUTLINE, 56L PUNCH QFN,  
7x7x0.85mm

APPROVAL  
ZHEN LI

DOCUMENT CONTROL NO.  
21-100073

REV. C 3/3

-DRAWING NOT TO SCALE-

(SAWN QFN VERSION)