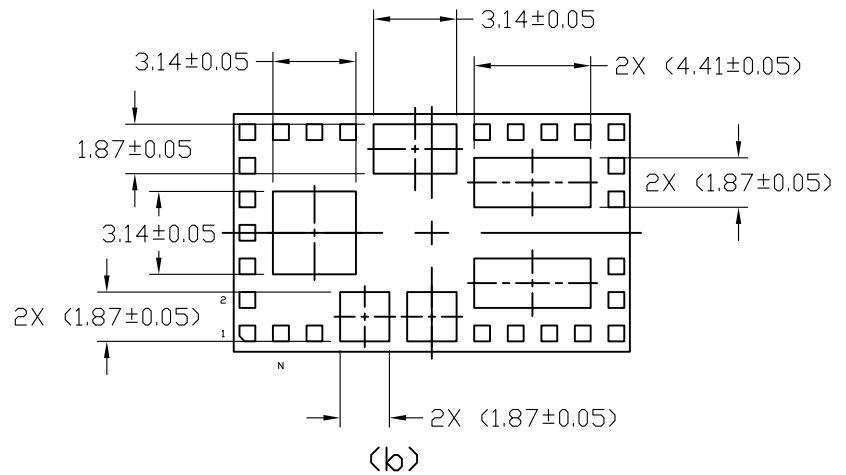
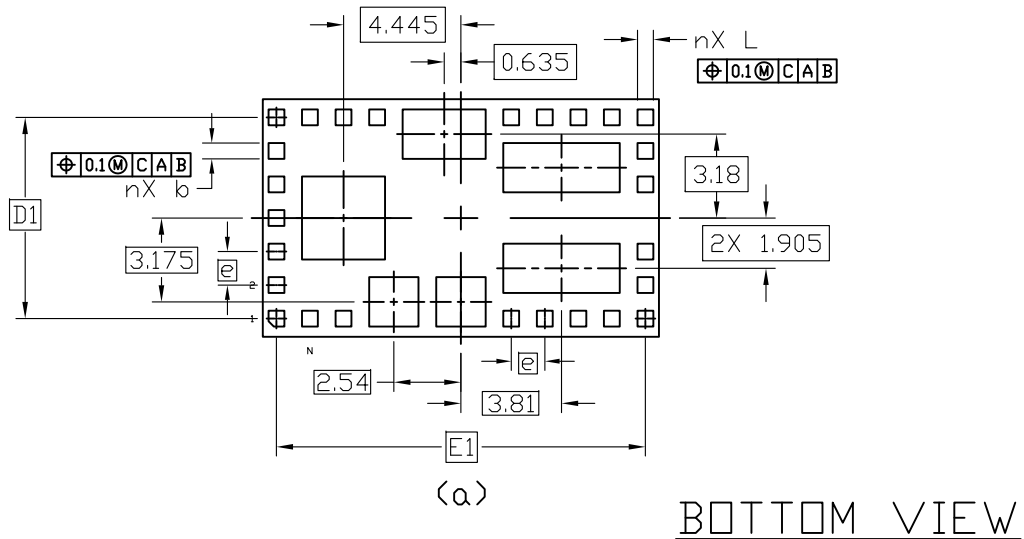


DIMENSIONAL REFERENCES			
	MIN.	NOM.	MAX.
A2	2.7 REF		
b	0.55	0.60	0.65
D	9 BSC		
D1	7.62 BSC		
E	15 BSC		
E1	13.97 BSC		
e	1.27 BSC		
L	0.55	0.60	0.65
aaa	0.1		
bbb	0.1		
ddd	0.1		
N	32		


DIMENSION VARIATIONS						
	L32915+1 L32915+3			L32915+2		
REF.	MIN.	NOM.	MAX.	MIN.	NOM.	MAX.
A	-	-	2.92	-	-	2.95
A1	0.14	0.18	0.22	0.17	0.21	0.25



NOTES:

1. ALL DIMENSIONS ARE IN MILLIMETERS UNLESS OTHERWISE SPECIFIED.
2. DIMENSIONING AND TOLERANCING PER ASME Y14.5M 1994.
3. 'N' IS THE TOTAL NUMBER OF TERMINALS
4. MARKING SHOWN IS FOR PKG. ORIENTATION ONLY.
5. MATERIAL MUST BE COMPLIANT WITH MAXIM SPECIFICATION 10-0131 FOR SUBSTANCE CONTENT, MUST BE Eu ROHS COMPLIANT WITHOUT EXEMPTION AND PB-FREE.
6. ALL DIMENSIONS APPLY TO PbFREE (+) PKG. CODE.

-DRAWING NOT TO SCALE-


**maxim
integrated.**

TITLE:
PACKAGE OUTLINE, 32L LGA,
9x15mm

APPROVAL	DOCUMENT CONTROL NO. 21-0879	REV. B	1/1
----------	---------------------------------	-----------	-----