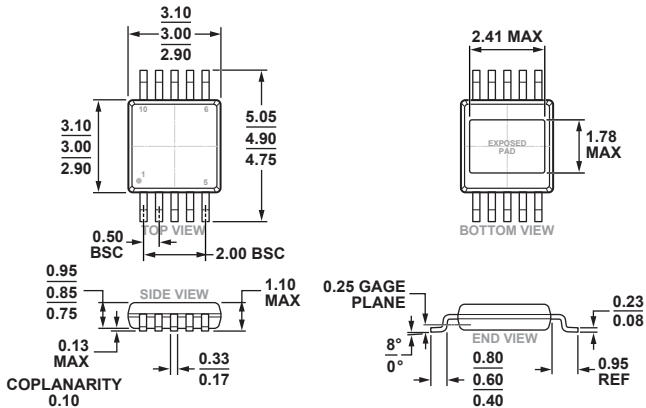


**10-Lead Mini Small Outline Package with Exposed Pad [MINI\_SO\_EP]  
(RH-10-3)**

Dimensions shown in millimeters



COMPLIANT TO JEDEC STANDARDS MO-187-BA-T