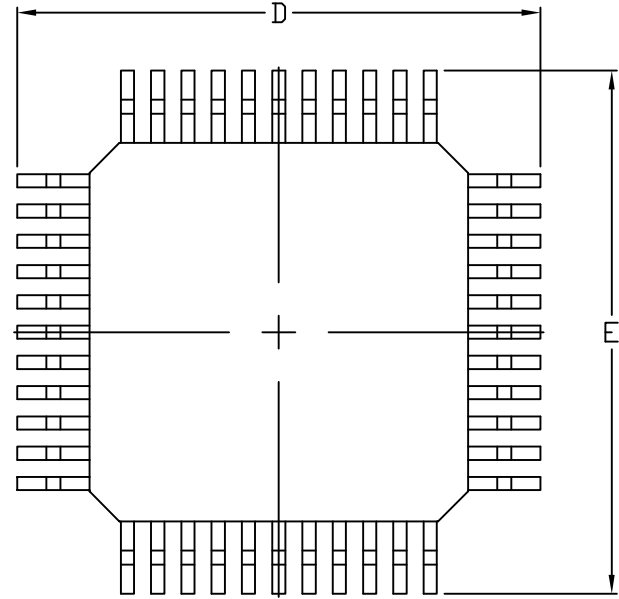
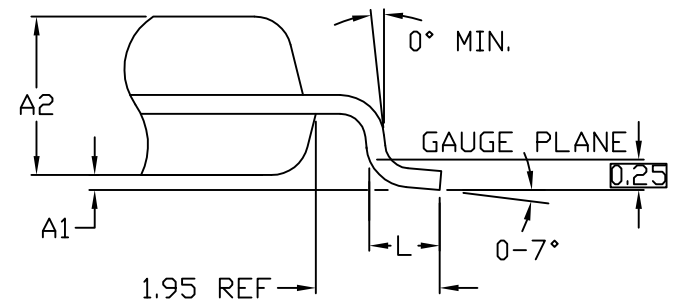
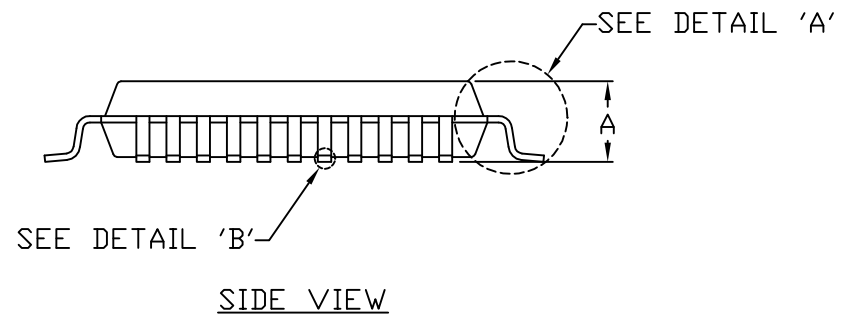


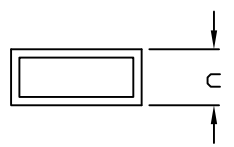
1
TOP VIEW



BOTTOM VIEW



DETAIL "A"



DETAIL "B"



TITLE:
PACKAGE OUTLINE,
44L MQFP 10X10X2mm, 1.95 FORM

APPROVAL
RAMON DE LEON
12/22/09

DOCUMENT CONTROL NO.
21-0269

REV. 1/2
B

-DRAWING NOT TO SCALE-

NOTES:

1. DIMENSIONS D1 AND E1 INCLUDE MOLD MISMATCH, BUT DO NOT INCLUDE MOLD PROTRUSION. ALLOWABLE MOLD PROTRUSION IS 0.25 MM PER SIDE.
2. DETAILS OF PIN 1 IDENTIFIED ARE OPTIONAL BUT MUST BE LOCATED WITHIN THE ZONE INDICATED.
3. ALL DIMENSIONS ARE IN MILLIMETERS.
4. ALLOWABLE DAMBAR PROTRUSION IS 0.08 MM TOTAL IN EXCESS OF THE B DIMENSION; PROTRUSION NOT TO BE LOCATED ON LOWER RADIUS OR FOOT OF LEAD.
5. MATERIAL MUST COMPLY WITH BANNED AND RESTRICTED SUBSTANCES SPEC# 10-0131
6. ALL DIMENSIONS APPLY TO BOTH LEADED (-) AND PbFREE (+) PACKAGE CODES.

DIM	MILLIMETERS	
	MIN	MAX
A	--	2.45
A1	0.10	0.30
A2	1.95	2.10
b	0.30	0.45
c	0.13	0.23
D	13.65	14.30
D1	9.90	10.10
E	13.65	14.30
E1	9.90	10.10
e	0.800 BSC	
L	0.63	1.03
PKG. CODES	M44-11	



TITLE:
PACKAGE OUTLINE,
44L MQFP 10X10X2mm, 1.95 FORM

APPROVAL
RAMON DE LEON
12/22/09

DOCUMENT CONTROL NO.
21-0269

REV. 2/2
B