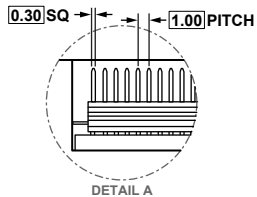
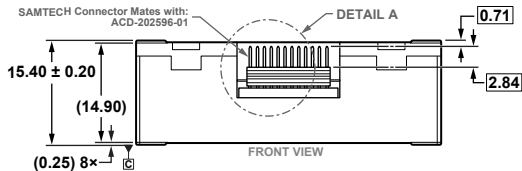
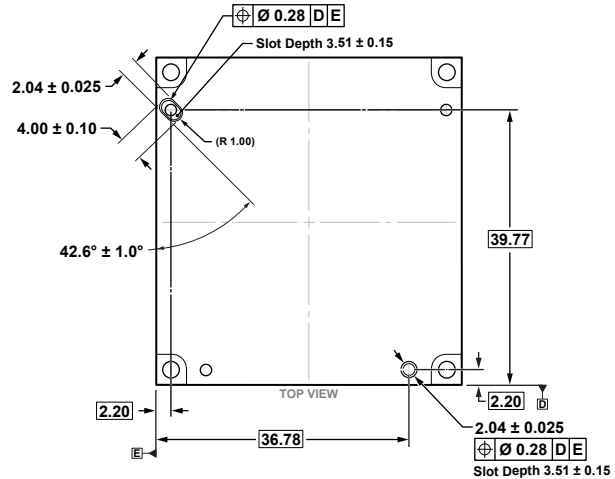
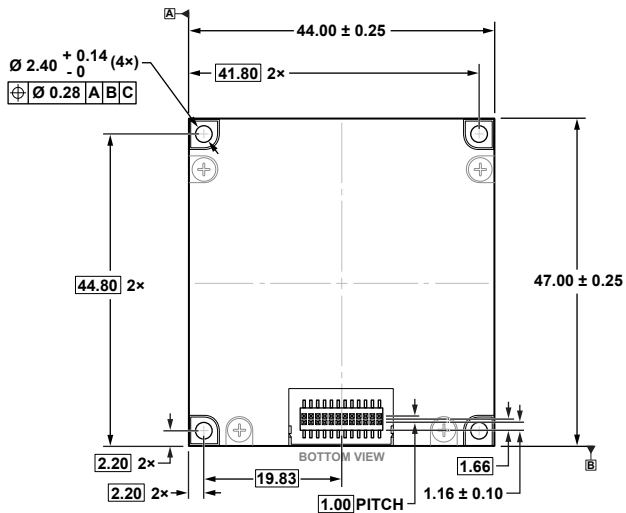


24-Lead Module with Connector Interface [MODULE]
(ML-24-12)

Dimensions shown in millimeters.



UNLESS OTHERWISE SPECIFIED
TOLERANCES ARE:

X.XX = ± 0.15

Degrees = $\pm 1.0^\circ$