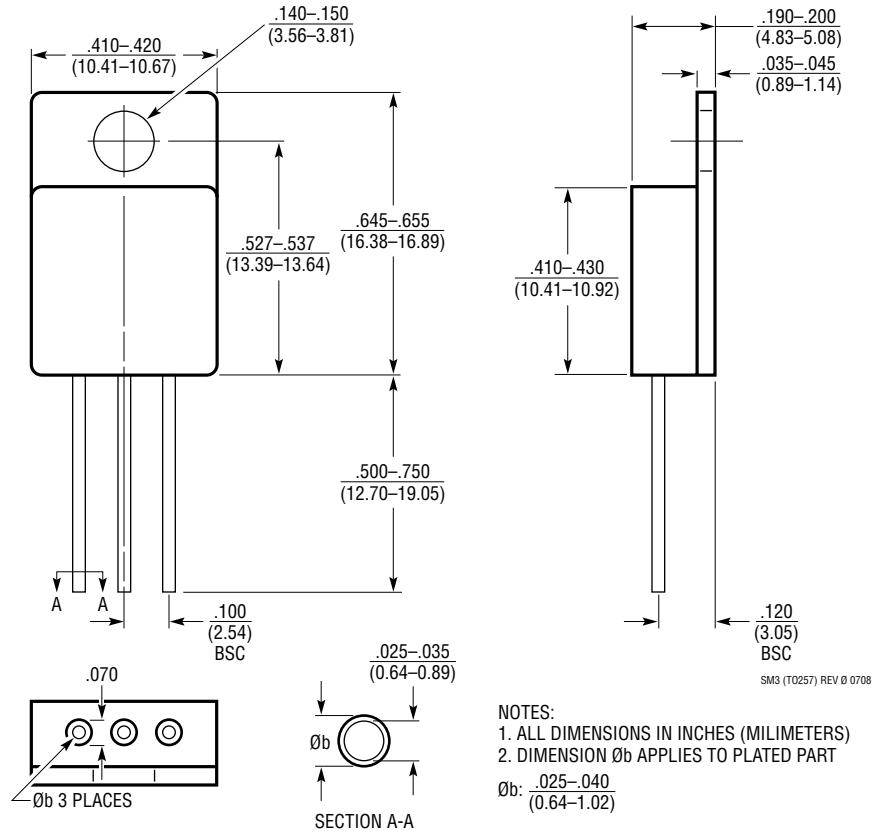


SM Package
3-Lead T0257
 (Reference LTC DWG # 05-08-1360 Rev 0)



- NOTES:
1. ALL DIMENSIONS IN INCHES (MILIMETERS)
 2. DIMENSION Øb APPLIES TO PLATED PART
- Øb: $\frac{.025-.040}{(0.64-1.02)}$