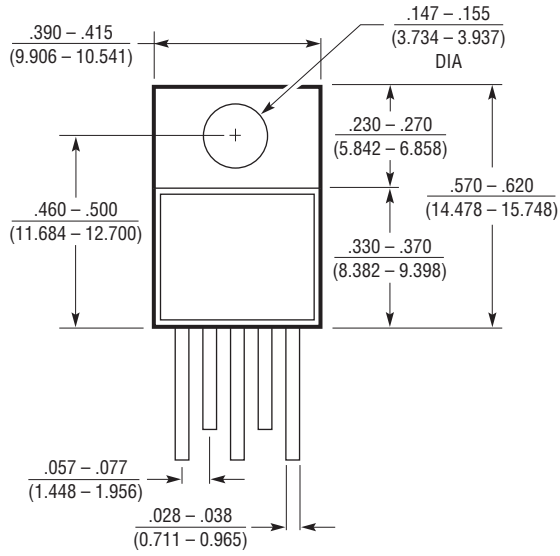


**TO-220 5-Lead Package Outline (Flow 38)**  
 (Reference LTC DWG # 05-08-1498)



\*MEASURED AT SEATING PLANE

