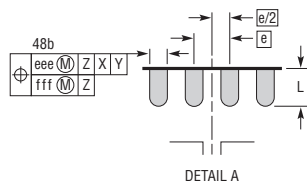
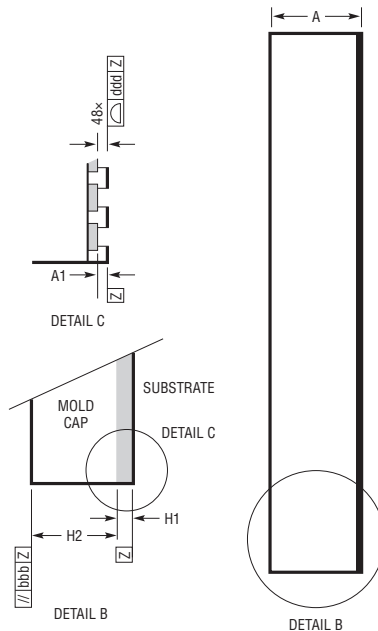
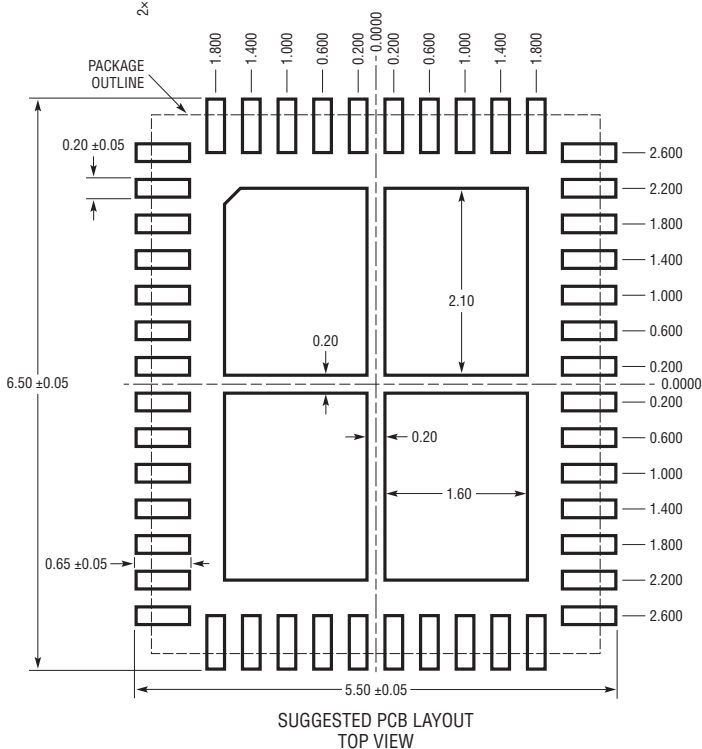
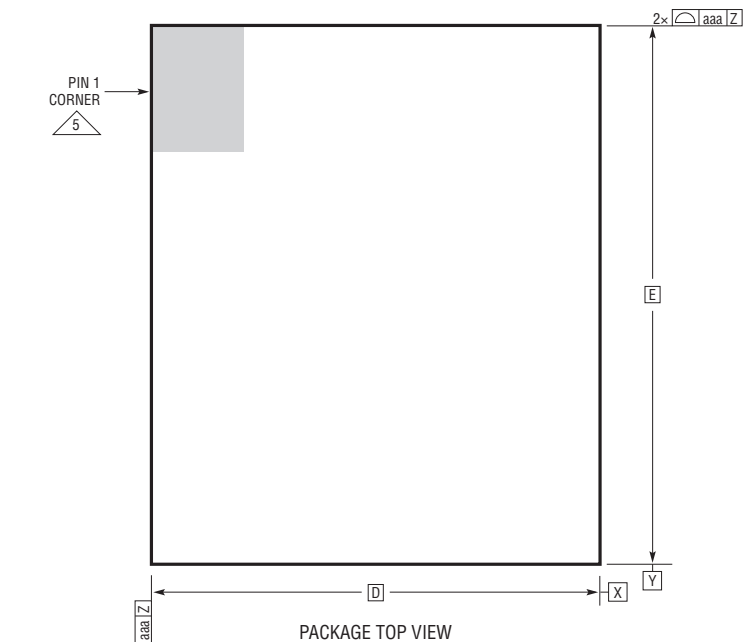
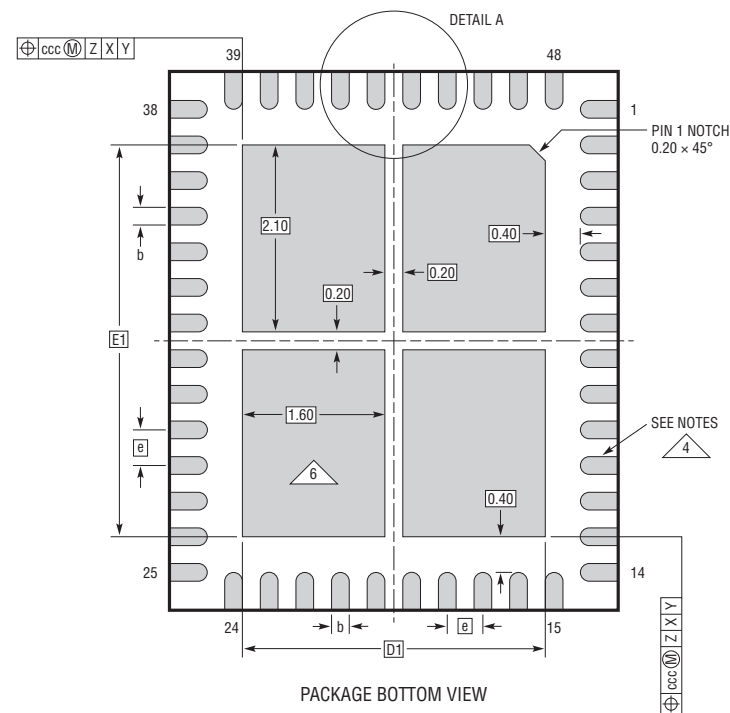


LQFN Package
48-Lead (5mm × 6mm × 1.02mm)
 (Reference LTC DWG # 05-08-1606 Rev B)



DIMENSIONS				
SYMBOL	MIN	NOM	MAX	NOTES
A	0.93	1.02	1.11	
A1	0.01	0.02	0.03	
L	0.30	0.40	0.50	
b	0.17	0.20	0.23	
D		5.00		
E		6.00		
D1		3.40		
E1		4.40		
e		0.40		
H1		0.32 REF		SUBSTRATE THK
H2		0.70 REF		MOLD CAP HT
aaa			0.10	
bbb			0.10	
ccc			0.10	
ddd			0.10	
eee			0.15	
fff			0.08	



- NOTES:
1. DIMENSIONING AND TOLERANCING PER ASME Y14.5M-1994
 2. ALL DIMENSIONS ARE IN MILLIMETERS
 3. PRIMARY DATUM -Z- IS SEATING PLANE
 4. METAL FEATURES UNDER THE SOLDER MASK OPENING NOT SHOWN SO AS NOT TO OBSCURE THESE TERMINALS AND HEAT FEATURES
 5. DETAILS OF PIN 1 IDENTIFIER ARE OPTIONAL, BUT MUST BE LOCATED WITHIN THE ZONE INDICATED. THE PIN 1 IDENTIFIER MAY BE EITHER A MOLD OR MARKED FEATURE
 6. THE EXPOSED HEAT FEATURE IS SEGMENTED AND ARRANGED IN A MATRIX FORMAT. IT MAY HAVE OPTIONAL CORNER RADII ON EACH SEGMENT

