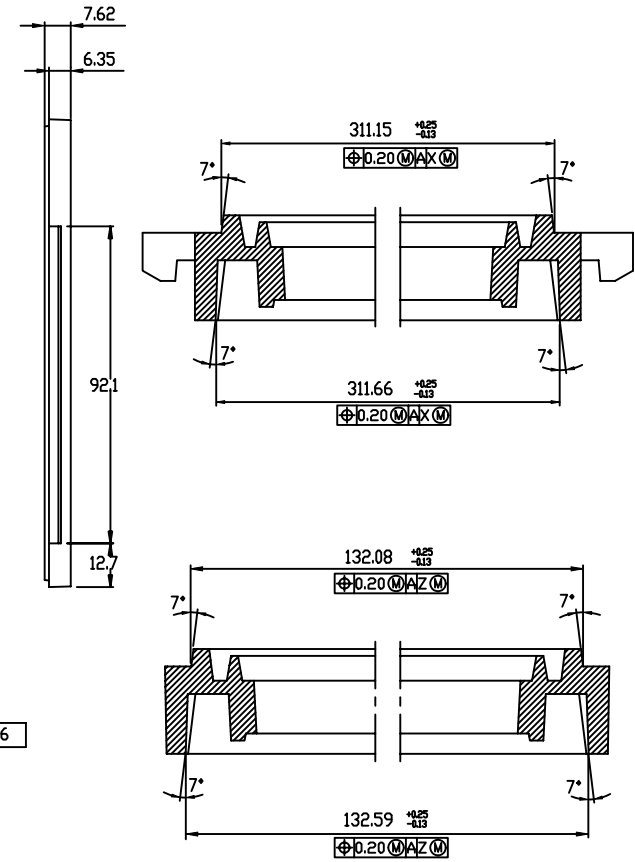
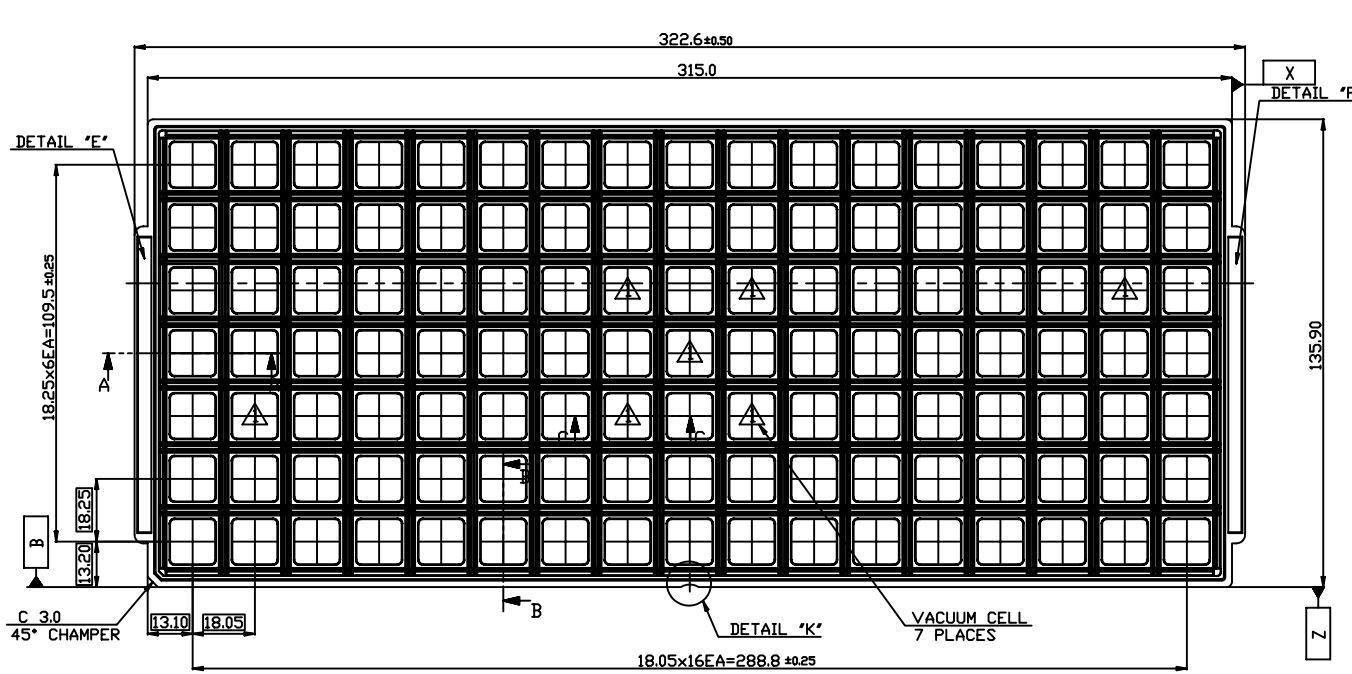
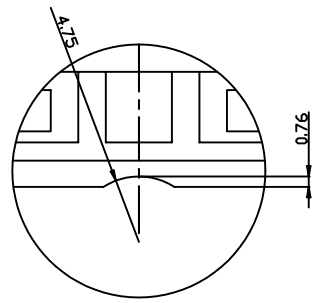


REV.	DESCRIPTION	DATE	APPR.
00	INITIATE COMPOSITE DRAWING		

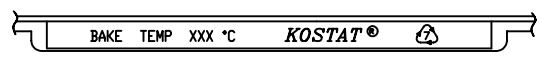


TRAY STACKING DETAIL
(SCALE:4/1)



MCM 15mm X 15mm
KS-87037 REV01

DETAIL E
(SCALE:2/1)



DETAIL F
(SCALE:2/1)

DETAIL D
(SCALE:2/1)

DETAIL K
(SCALE:4/1)

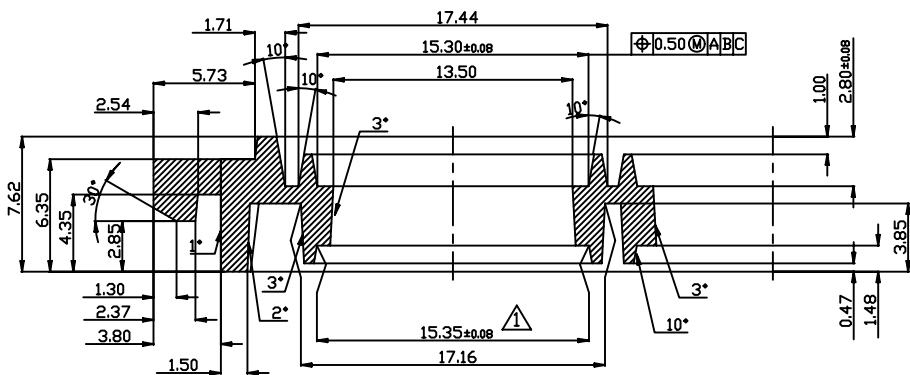
DESCRIPTION	MATERIAL	COLOR	TEMP °C	E S D
BAKEABLE	KS-6110	BLACK	150 °C	10 ⁶ TO 10 ¹¹ ohm/SQ.

LINEAR
TECHNOLOGY
1630 McCarthy Blvd
Milpitas, CA 95035-7487
(408) 432-1900

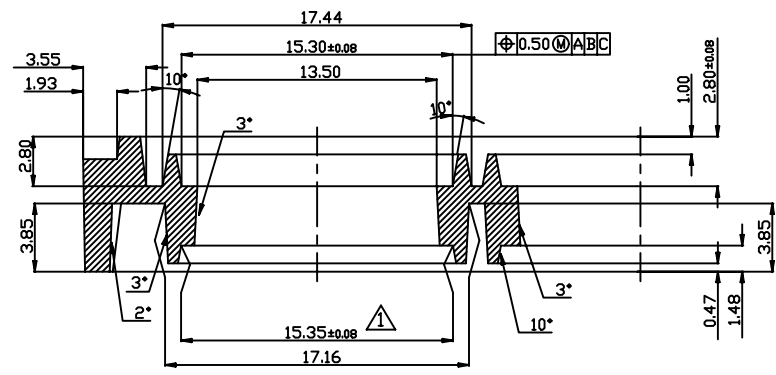
PIECE PART DRAWING
SIP 15mm X 15mm
BLACK TRAY

DRAWING NO.		
50-8023 REV 0		
TOLERANCES UNLESS OTHERWISE SPECIFIED		
FRACTIONS	DEC.	ANGLES
N/A	+/-0.25	+/-1°
SCALE	SIZE	SHEET
N/A	A	1 OF 2

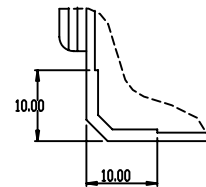
APPROVALS	DATE
DRAWN C. MEGIA	
CHECKED G. PECK	



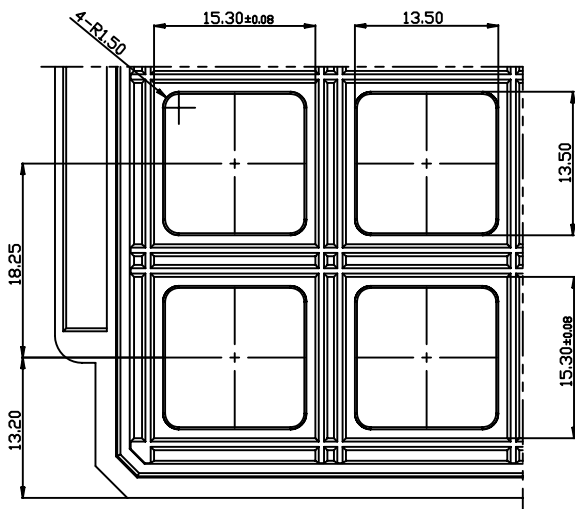
SECTION A-A
(SCALE:5/1)



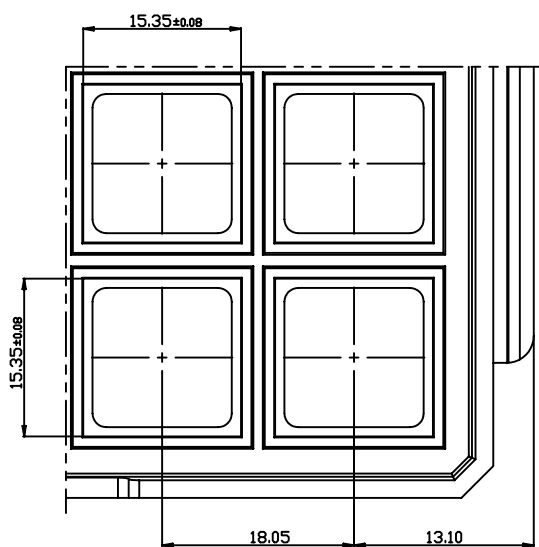
SECTION B-B
(SCALE:5/1)



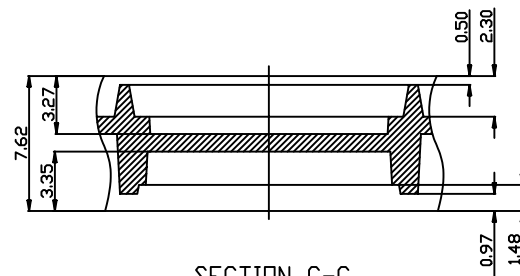
STACKING DETAIL
(SCALE:2/1)



TOP VIEW
(SCALE:3/1)



BOTTOM VIEW
(SCALE:3/1)



SECTION C-C
(VACUUM CELL 5/1)



1630 McCarthy Blvd
Milpitas, CA 95035-7487
(408) 432-1900

PIECE PART DRAWING
SIP 15mm X 15mm
BLACK TRAY

DRAWING NO.

50-8023 REV Ø

APPROVALS

DATE

DRAWN
C. MEGIA

TOLERANCES UNLESS OTHERWISE SPECIFIED
FRACTIONS DEC. ANGLES
N/A +/-0.25 +/-1°

CHECKED
G. PECK

SCALE
N/A

SIZE
A

SHEET
2 OF 2