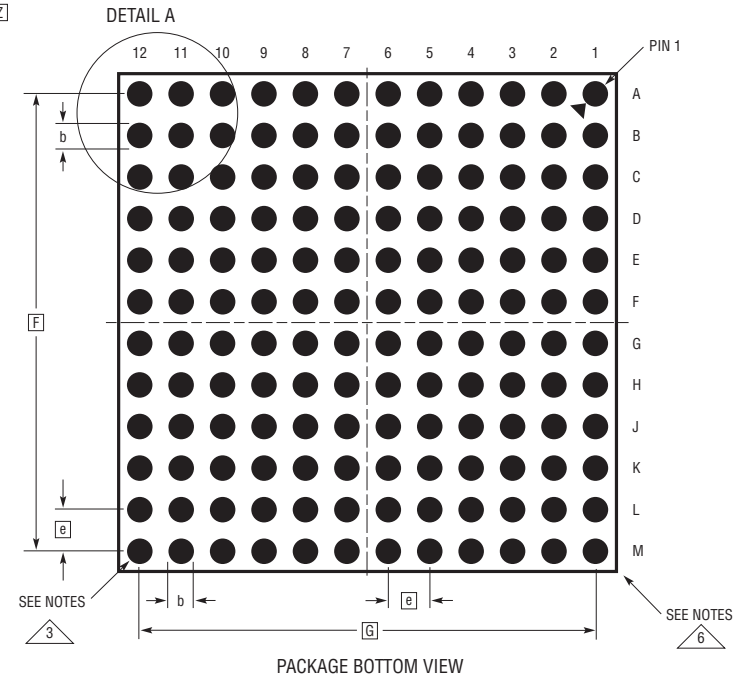
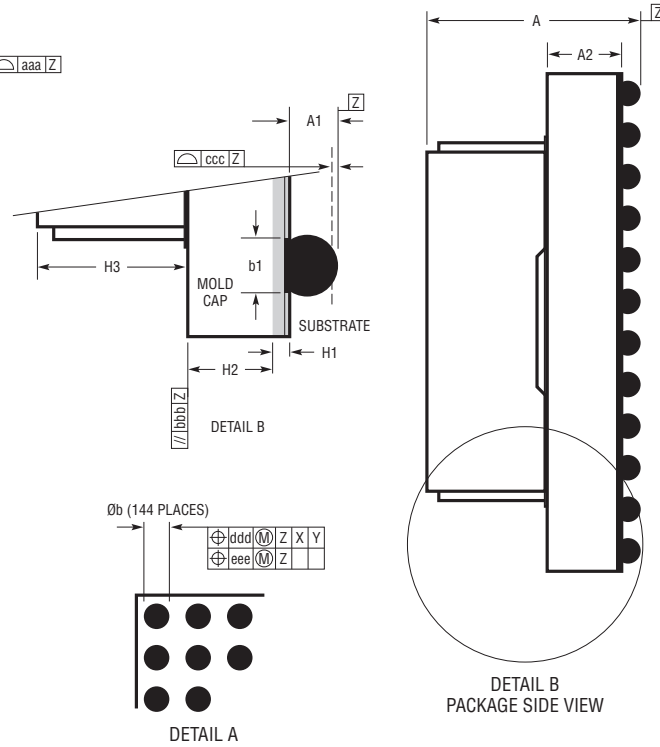
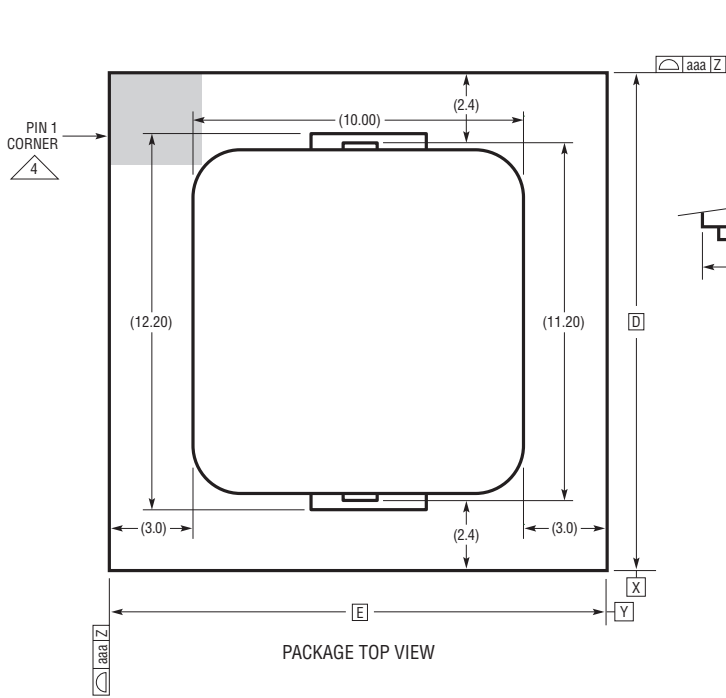
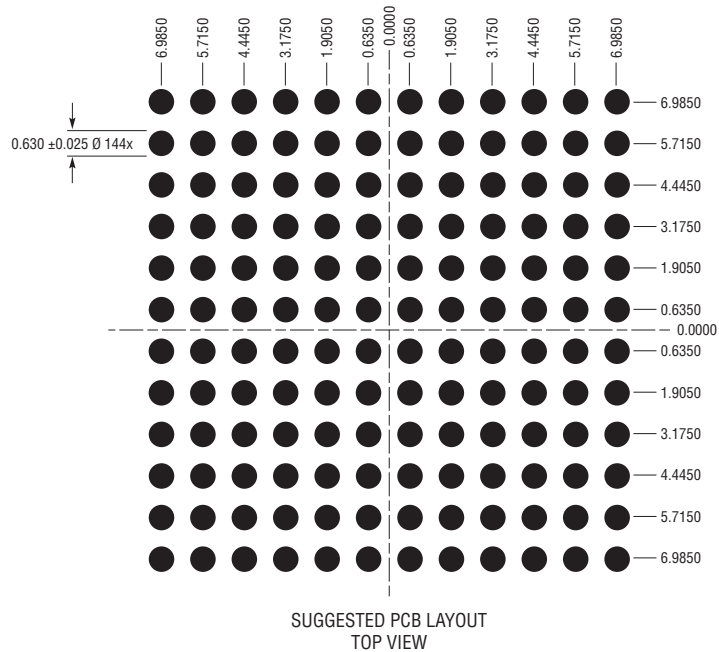
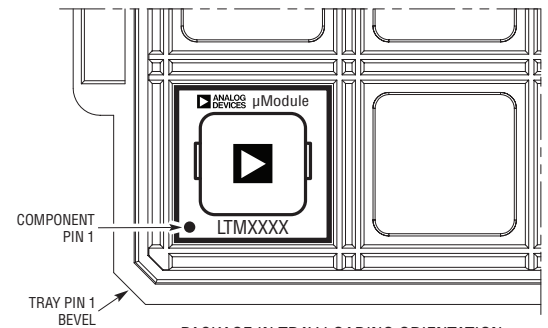


**BGA Package**  
**144-Lead (16mm × 16mm × 7.07mm)**  
 (Reference LTC DWG # 05-08-1562 Rev B)



- NOTES:  
 1. DIMENSIONING AND TOLERANCING PER ASME Y14.5M-1994  
 2. ALL DIMENSIONS ARE IN MILLIMETERS. DRAWING NOT TO SCALE

- 3 BALL DESIGNATION PER JEP95  
 4 DETAILS OF PIN 1 IDENTIFIER ARE OPTIONAL, BUT MUST BE LOCATED WITHIN THE ZONE INDICATED. THE PIN 1 IDENTIFIER MAY BE EITHER A MOLD OR MARKED FEATURE  
 5. PRIMARY DATUM -Z- IS SEATING PLANE  
 6 PACKAGE ROW AND COLUMN LABELING MAY VARY AMONG μModule PRODUCTS. REVIEW EACH PACKAGE LAYOUT CAREFULLY



DIMENSIONS				
SYMBOL	MIN	NOM	MAX	NOTES
A	6.57	7.07	7.42	
A1	0.50	0.60	0.70	BALL HT
A2	2.31	2.41	2.51	
b	0.60	0.75	0.90	BALL DIMENSION
b1	0.60	0.63	0.66	PAD DIMENSION
D		16.00		
E		16.00		
e		1.27		
F		13.97		
G		13.97		
H1	0.36	0.41	0.46	SUBSTRATE THK
H2	1.95	2.00	2.05	MOLD CAP HT
H3	3.76	4.06	4.21	INDUCTOR HT
aaa			0.15	
bbb			0.10	
ccc			0.20	
ddd			0.30	
eee			0.15	

TOTAL NUMBER OF BALLS: 144