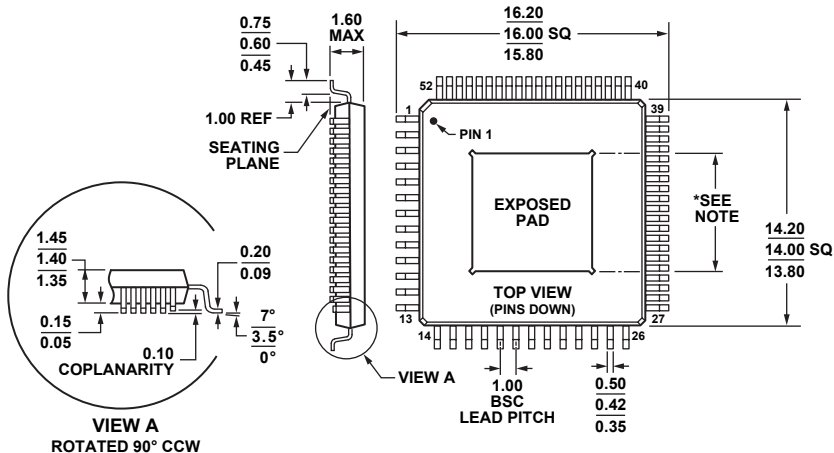


**52-Lead Low Profile Quad Flat Package, Exposed Pad [LQFP_EP]
(SW-52-1)**

Dimensions shown in millimeters



COMPLIANT TO JEDEC STANDARDS MS-026-BEA-HU
*THE ACTUAL EXPOSED PAD DIMENSIONS ARE SPECIFIC
TO EACH DEVICE OR PRODUCT.