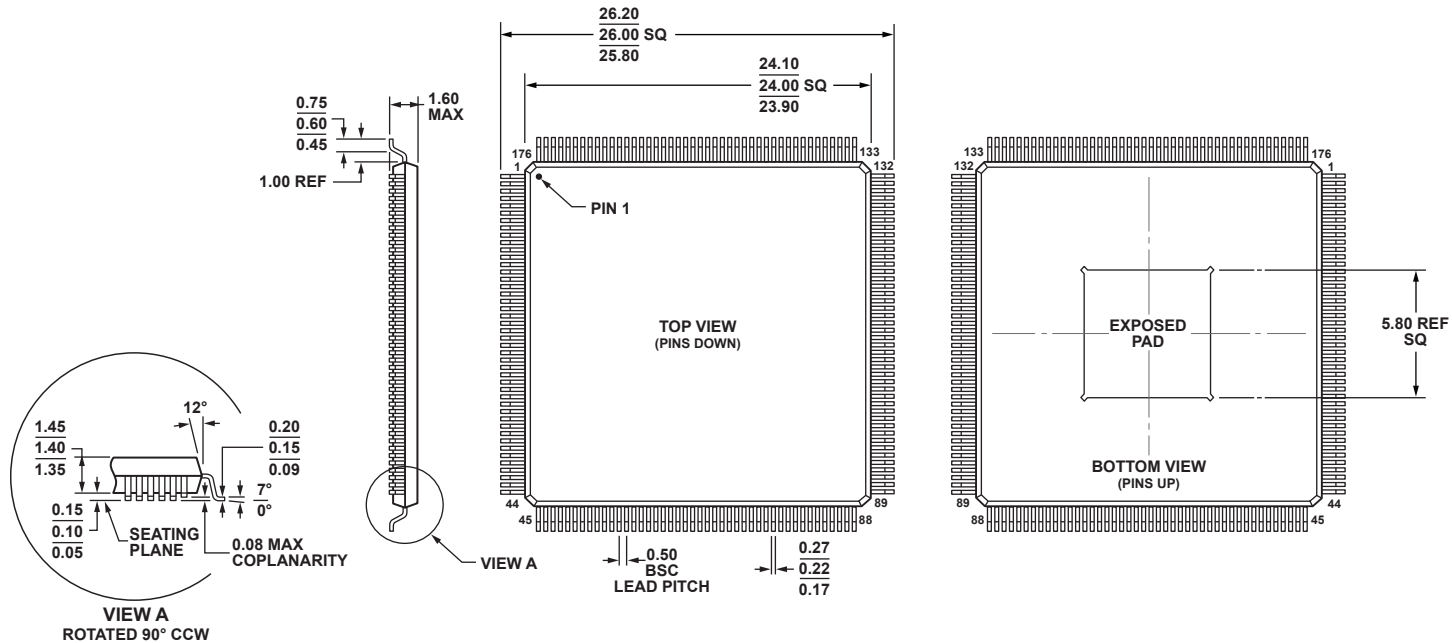


**176-Lead Low Profile Quad Flat Package, Edquad [LQFP\_ED]**

(SQ-176-2)

Dimensions shown in millimeters



COMPLIANT TO JEDEC STANDARDS MS-026-BGA-HD