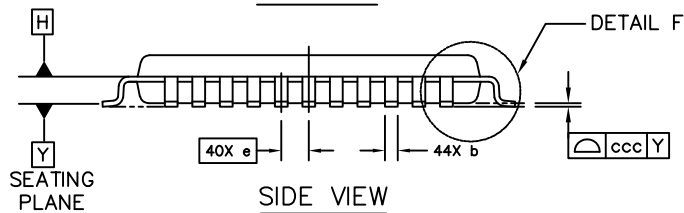
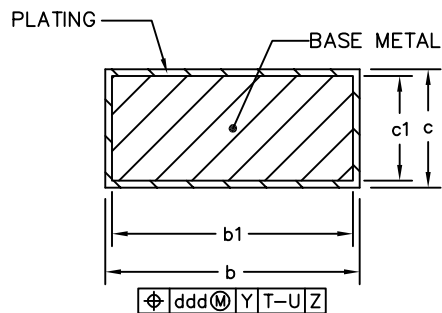


TOP VIEW

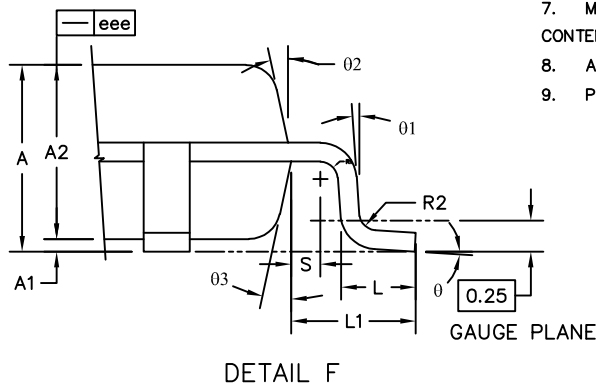


SIDE VIEW



SECTION G-G

-DRAWING NOT TO SCALE-



DETAIL F

	SYMBOL	MIN	NOM	MAX
TOTAL THICKNESS	A	---	---	1.6
STAND OFF	A1	0.05	---	0.15
MOLD THICKNESS	A2	1.35	---	1.45
LEAD WIDTH (PLATING)	b	0.3	---	0.45
LEAD WIDTH	b1	0.3	---	0.4
L/F THICKNESS (PLATING)	c	0.09	---	0.2
L/F THICKNESS	c1	0.09	---	0.16
	X	D	12 BSC	
	Y	E	12 BSC	
BODY SIZE	X	D1	10 BSC	
	Y	E1	10 BSC	
LEAD PITCH	e		0.8 BSC	
	L	0.45	---	0.75
	L1		1 REF	
FOOTPRINT	0	0'	---	7'
	01	0'	---	---
	02	11'	---	13'
	03	11'	---	13'
	R1	0.08	---	---
	R2	0.08	---	0.2
	S	0.2	---	---
PACKAGE EDGE TOLERANCE	aaa		0.2	
LEAD EDGE TOLERANCE	bbb		0.2	
COPLANARITY	ccc		0.1	
LEAD OFFSET	ddd		0.2	
MOLD FLATNESS	eee		0.05	

NOTES

1. ALL DIMENSIONS ARE IN MILLIMETERS. ANGLES ARE IN DEGREES.
2. DATUM T, U, AND Z TO BE DETERMINED AT DATUM PLANE H. DIMENSIONS D AND E TO BE DETERMINED AT SEATING PLANE DATUM Y.
3. DIMENSIONS D1 AND E1 DO NOT INCLUDE MOLD PROTRUSION. ALLOWABLE PROTRUSION IS 0.25 PER SIDE. DIMENSIONS D1 AND E1 DO INCLUDE MOLD MISMATCH AND ARE DETERMINED AT DATUM PLANE DATUM H.
4. DIMENSION b DOES NOT INCLUDE DAM BAR PROTRUSION. ALLOWABLE DAM BAR PROTRUSION SHALL NOT CAUSE THE LEAD WIDTH TO EXCEED THE MAXIMUM b DIMENSION BY MORE THAN 0.08 mm. DAM BAR CANNOT BE LOCATED ON THE LOWER RADIUS OR THE FOOT. MINIMUM SPACE BETWEEN PROTRUSION AND AN ADJACENT LEAD IS 0.07 mm. EXACT SHAPE OF EACH CORNER IS OPTIONAL.
5. EXACT SHAPE OF EACH CORNER IS OPTIONAL
6. N IS THE TOTAL NUMBER OF TERMINALS.
7. MATERIAL MUST BE COMPLIANT WITH MAXIM SPECIFICATION 10-0131 FOR SUBSTANCE CONTENT, MUST BE Eu ROHS COMPLIANT WITHOUT EXEMPTION AND PB-FREE.
8. ALL DIMENSIONS APPLY TO PbFREE (+) PARTS.
9. PACKAGE CODES: C44MS+4C



TITLE:
PACKAGE OUTLINE, 44L, LQFP-CU HYBRID
10X10X1.4mm

APPROVAL	DOCUMENT CONTROL NO. 21-100581	REV. A	1/1
----------	-----------------------------------	-----------	-----