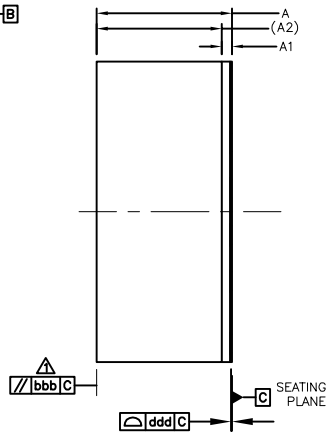
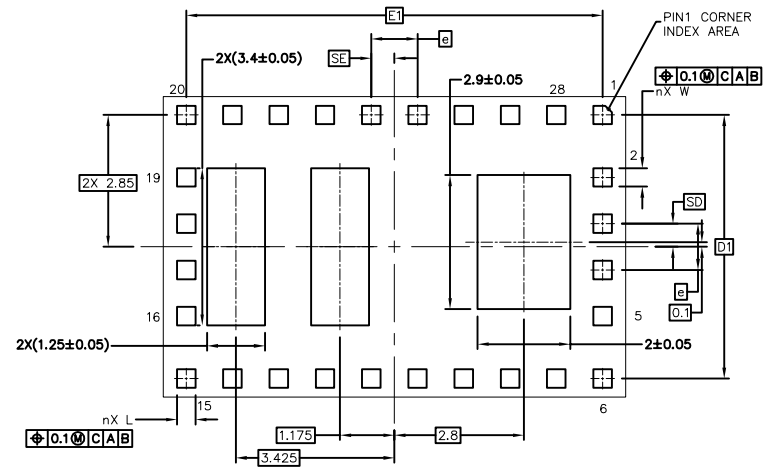


TOP VIEW



SIDE VIEW



BOTTOM VIEW

SYMBOL	COMMON DIMENSIONS		
DIM.	MIN.	NOR.	MAX.
A	---	---	2.92
A1	---	---	0.22
A2	2.7 REF		
D	6.4	6.5	6.6
E	9.9	10	10.1
W	0.35	0.4	0.45
L	0.35	0.4	0.45
e	1 BSC		
n	28		
D1	5.7 BSC		
E1	9 BSC		
SD	0.5 BSC		
SE	0.5 BSC		
aaa	0.1		
bbb	0.1		
ddd	0.1		

NOTES:

1. ALL DIMENSIONS ARE IN MILLIMETERS. ANGLES ARE IN DEGREES.
2. DIMENSIONING AND TOLERANCING CONFORM TO ASME Y14.5M -2009
3. N IS THE TOTAL NUMBER OF TERMINALS.
4. PIN #1 ID ON TOP WILL BE LASER MARKED.
5. MATERIAL MUST BE COMPLIANT WITH MAXIM SPECIFICATION 10-0131 FOR SUBSTANCE CONTENT, MUST BE Eu ROHS COMPLIANT WITHOUT EXEMPTION AND PB-FREE.
6. ALL DIMENSIONS APPLY TO PbFREE (+) PARTS.
7. PACKAGE CODES: L286510+7



TITLE:
PACKAGE OUTLINE 28L SIP LGA
6.5x10x2.92mm

APPROVAL	PACKAGE OUTLINE NO. 21-100180	REV. A	1 / 1
----------	----------------------------------	-----------	-------

-DRAWING NOT TO SCALE-