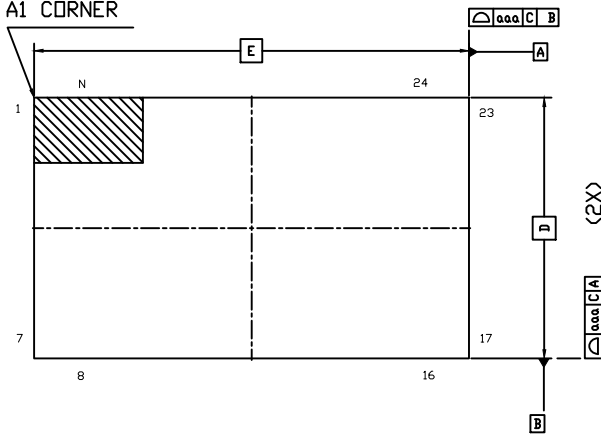
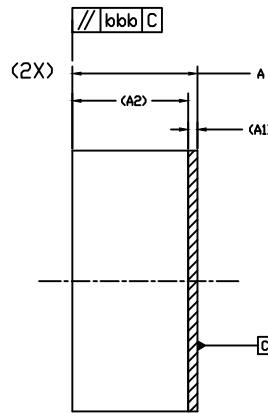


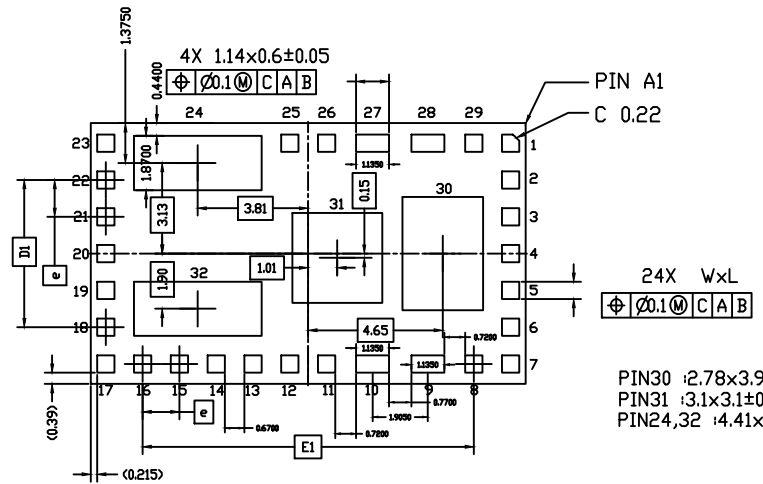
A1 CORNER



TOP VIEW



SIDE VIEW



BOTTOM VIEW

24X WxL  
 $\phi \varnothing 0.1 \text{ (C A B)}$

PIN30 :2.78x3.9±0.05  
 PIN31 :3.1x3.1±0.05  
 PIN24,32 :4.41x1.87±0.05

COMMON DIMENSIONS			
DIM	MIN.	NOM.	MAX.
A	---	4.32	4.42
A1	0.28	0.32	0.36
A2		4.0	REF
D		9	BSC
E		15	BSC
W	0.55	0.6	0.65
L	0.55	0.6	0.65
e		1.27	BSC
N		29	
D1		5.08	BSC
E1		11.43	BSC
aaa		0.1	
bbb		0.1	
ddd		0.1	

NOTES:

1. ALL DIMENSIONS ARE IN MILLIMETERS. ANGLES ARE IN DEGREES.
2. DIMENSIONING AND TOLERANCING CONFORM TO ASME Y14.5M -2009
3. N IS THE TOTAL NUMBER OF TERMINALS.
4. PIN #1 ID ON TOP WILL BE LASER MARKED.
5. MATERIAL MUST BE COMPLIANT WITH MAXIM SPECIFICATION 10-0131 FOR SUBSTANCE CONTENT, MUST BE Eu ROHS COMPLIANT WITHOUT EXEMPTION AND PB-FREE.
6. ALL DIMENSIONS APPLY TO PbFREE (+) PARTS.
7. PACKAGE CODES: L29915+1



TITLE:  
 PACKAGE OUTLINE 29LD SIP LGA  
 9x15x4.32mm

-DRAWING NOT TO SCALE-

DIVYA CHOUDHARY	PACKAGE OUTLINE NO. 21-100177	REV. B	1/1
-----------------	----------------------------------	-----------	-----