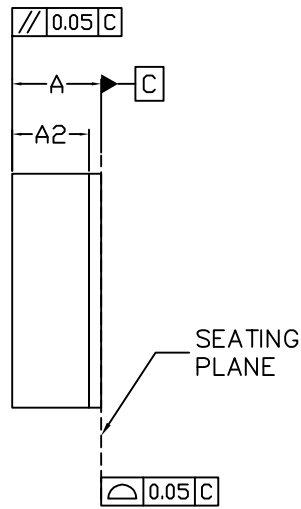
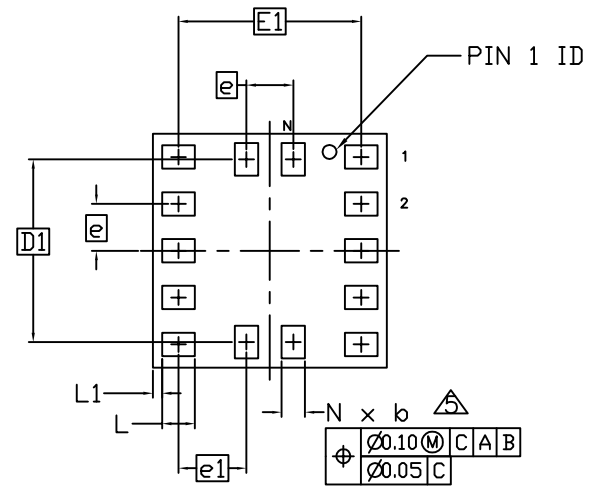


TOP VIEW



SIDE VIEW



BOTTOM VIEW

REF.	MIN.	NOM.	MAX.
A	0.90	0.95	1.00
A2	0.79	0.82	0.85
b	0.20	0.25	0.30
D	2.40	2.50	2.60
E	2.40	2.50	2.60
D1	1.85	1.95	2.05
E1	1.85	1.95	2.05
e	0.50		
e1	0.725		
L	0.30	0.35	0.40
L1	0.05	0.10	0.15
N	14		
PKG CODE	L142A2MK+1		

NOTES:

1. ALL DIMENSIONS ARE IN MILLIMETERS. ANGLES ARE IN DEGREES.
2. DIMENSIONING & TOLERANCING CONFORM TO ASME Y14.5M-1994.
3. N IS THE TOTAL NUMBER OF TERMINALS.
4. A VISUAL INDEX FEATURE MUST BE LOCATED WITHIN THE HATCHED AREA.
5. DIMENSION b APPLIES TO METALIZED TERMINAL AND IS MEASURED BETWEEN 0.15mm AND 0.25mm FROM TERMINAL TIP.
6. MARKING SHOWN IS FOR PACKAGE ORIENTATION REFERENCE ONLY.
7. MATERIAL MUST BE COMPLIANT WITH MAXIM SPECIFICATION 10-0131 FOR SUBSTANCE CONTENT, MUST BE EU ROHS COMPLIANT WITHOUT EXEMPTION AND PB-FREE.
8. ALL DIMENSIONS APPLY TO Pb FREE (+) PARTS.



TITLE:
PACKAGE OUTLINE, 14L LGA,
2.5X2.5X0.95MM

APPROVAL

DOCUMENT CONTROL NO.
21-0757

REV. B 1/1