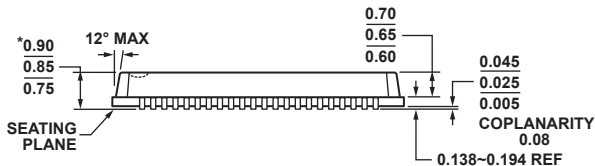
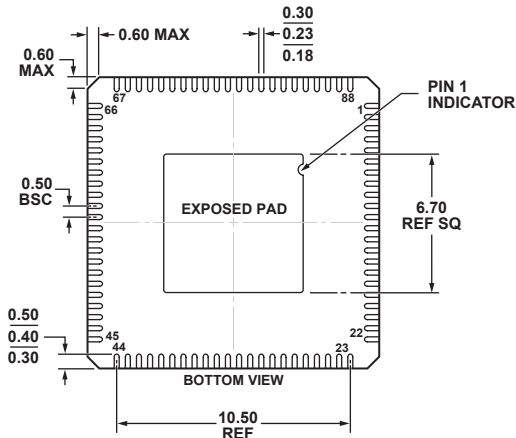
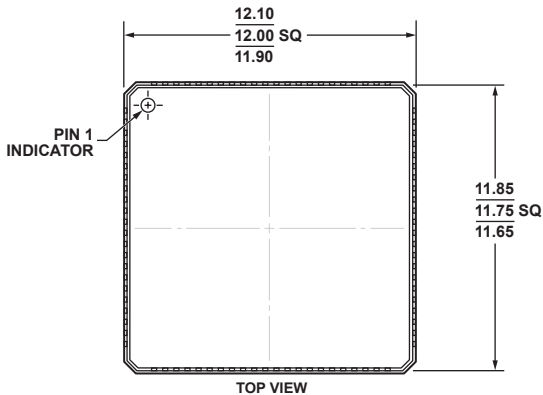


88-Lead Lead Frame Chip Scale Package [LFCSP_VQ]
12 x 12 mm Body, Very Thin Quad
(CP-88-5)
Dimensions shown in millimeters



*COMPLIANT TO JEDEC STANDARDS MO-220-VRRD
 EXCEPT FOR MINIMUM THICKNESS AND LEAD COUNT.