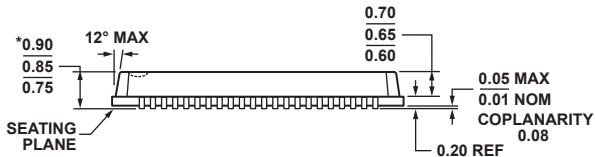
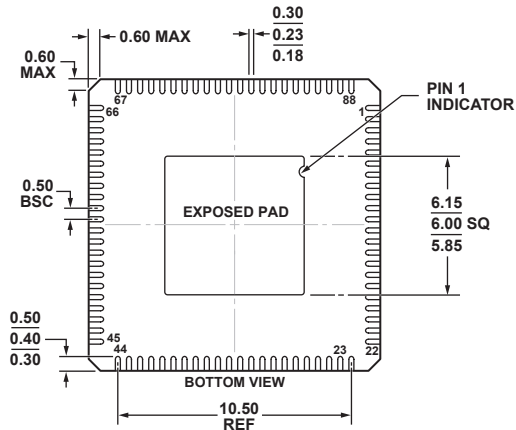
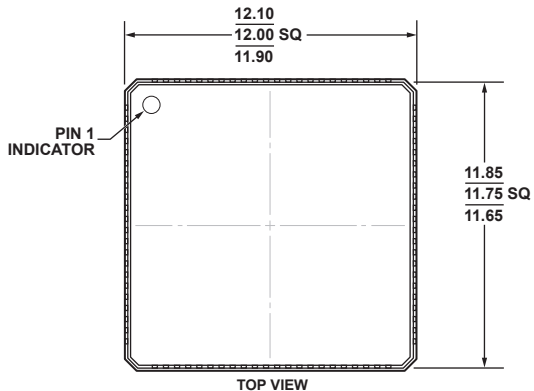


**88-Lead Lead Frame Chip Scale Package [LFCSP\_VQ]**  
**12 x 12 mm Body, Very Thin Quad**  
**(CP-88-2)**  
**Dimensions shown in millimeters**



\*COMPLIANT TO JEDEC STANDARDS MO-220-VRRD  
 EXCEPT FOR MINIMUM THICKNESS AND LEAD COUNT.