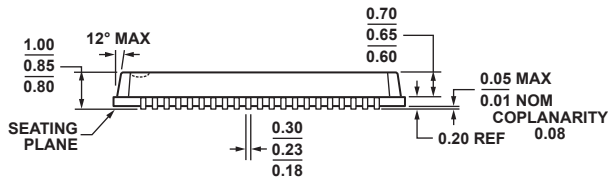
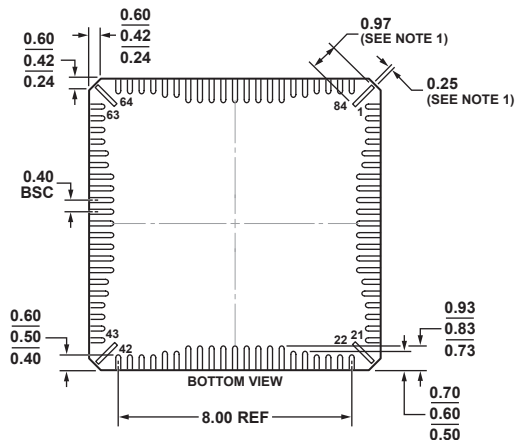
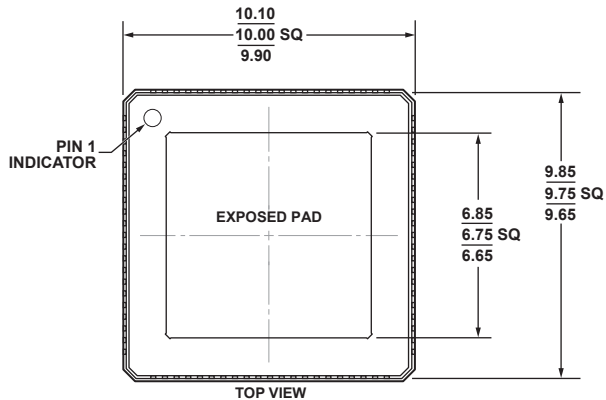


84-Lead Lead Frame Chip Scale Package [LFCSP_VQ]
 10 x 10 mm Body, Very Thin Quad
 (CP-84-2)

Dimensions shown in millimeters



NOTE:

1. TIEBARS MAY OR MAY NOT BE SOLDERED TO THE BOARD.