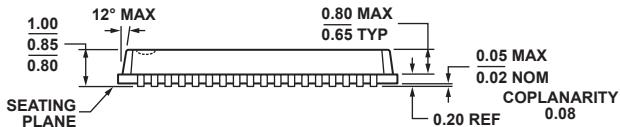
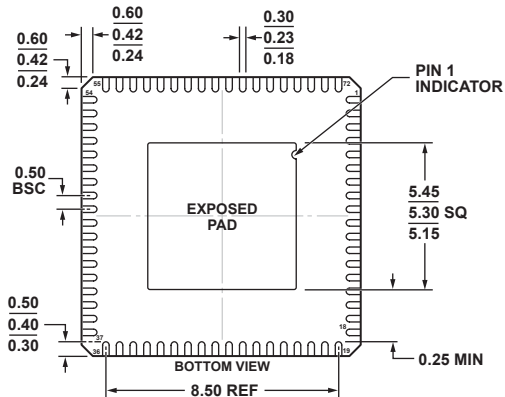
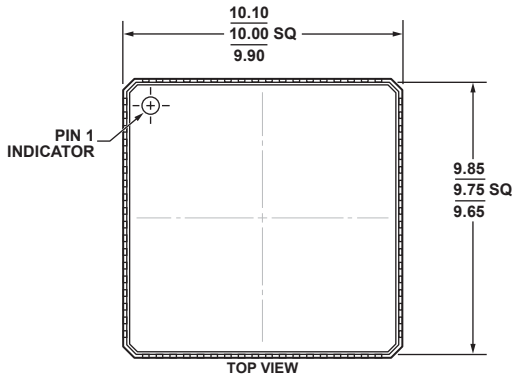


**72-Lead Lead Frame Chip Scale Package [LFCSP\_VQ]**

**10 x 10 mm Body, Very Thin Quad  
(CP-72-6)**

Dimensions shown in millimeters



COMPLIANT TO JEDEC STANDARDS MO-220-VNND-4