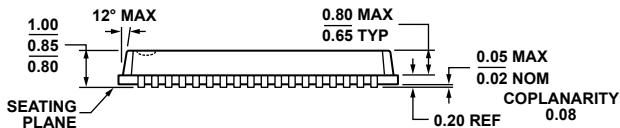
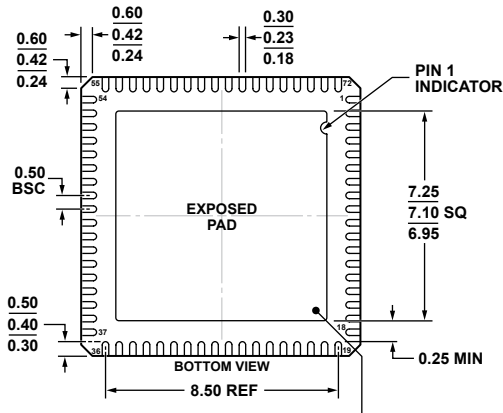
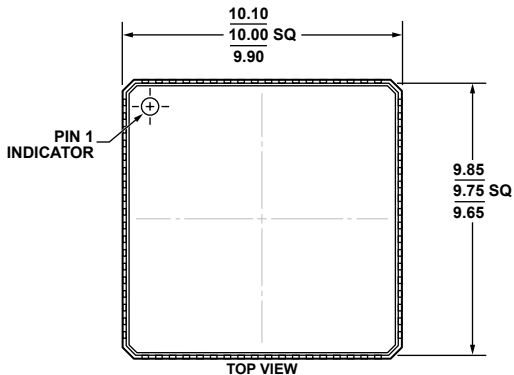


72-Lead Lead Frame Chip Scale Package [LFCSP_VQ]
10 x 10 mm Body, Very Thin Quad
(CP-72-4)
Dimensions shown in millimeters



FOR PROPER CONNECTION OF THE EXPOSED PAD, REFER TO THE PIN CONFIGURATION AND FUNCTION DESCRIPTIONS SECTION OF THIS DATA SHEET.