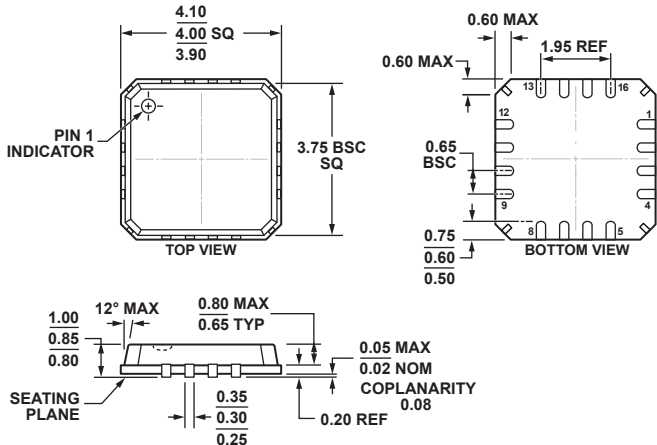


**16-Lead Lead Frame Chip Scale Package [LFCSP\_VQ]  
4 x 4 mm Body, Very Thin Quad, with Hidden Paddle  
(CP-16-19)**

Dimensions shown in millimeters



COMPLIANT TO JEDEC STANDARDS MO-263-VBBC